



SMARTER WAYS TO WORK™



GM Series-PRO

Ground Preparation
Attachment for
Mini Skid Steers



The GM Series is a multi-use manual skid steer attachment designed to get into the tight places your mini skid steer can go. The Pro models include gauge wheels and a leveling rake to make the job much faster and easier. It is engineered to clear terrain, de-compact and level soil in preparation for seedbed planting. Scarifiers work in combination with the finish and leveling rakes to prepare the soil up to 5" deep. Its design and durability make it one of the most versatile attachments you will ever own. It is ideal for clearing grass and weeds, as well as doing the finesse to work of ground preparation around concrete edges without damaging it and leaving a smooth finished seedbed.

Key User Benefits:

Speed – Makes short work of clearing terrain, de-compacting, and leveling ground in preparation for seeding or sod with far fewer labor hours than the traditional Harley Rake.

Ease of Use – The GM Series is operator friendly and designed for optimal performance when used in conjunction with the skid steer “float” functionality in both forward and reverse. Clear site lines make edge working a breeze. The operator has complete control to do the finest detail work. With all of the functionality built into this revolutionary attachment the tedious and back breaking task of hand work can be eliminated.

Toughness – Forged steel, cast iron, AR steel, welded construction—everything from the frame, to the foam filled tires is engineered to take a pounding and continue to perform. With no complicated and expensive hydraulically powered rotating parts, the GM Series is the toughest tool on the jobsite.

Maintenance – The ingenious design of the GM Series makes maintenance fast and simple. The wear components are either bolted or pinned in place for fast and easy replacement. Plus many of the components are common throughout the unit requiring minimal inventory.

Results – Perfectly graded ground with soil de-compacted up to 5" deep means your seed has the best environment for germination and developing a healthy, deep root system. And you did it in less than half the time of your competitors.

Save Time, Space and Money – When one tool can clear vegetation, de-compact the soil, and leave a smooth and level seedbed, you save space on the trailer, save time by not switching implements, and save money by owning and maintaining just the one tool that can do it all.

As the inventor of the HydroSeeder®, we know a thing or two about soil preparation. Our ground preparation tools are designed to provide the best results and ensure that your planting efforts are rewarded with lush, thick, green lawns.

Applications



Landscape Contractors



Residential Construction



Excavation



Driveway / Sidewalk Contractors



Gravel Road Maintenance

Features and Benefits

- Forged steel, cast iron, AR steel and welded construction for extreme durability and exceptional tool longevity
- Gauge wheels and leveling rake make the job much faster and easier
- Wear components bolted or pinned in place for fast and easy replacement
- All-in-one tool saves you space, time and money

Use it for:

- Ground prep for seeding or sod with far fewer labor hours
- Clearing Grass, Brush, Small Trees and more
- Gravel Driveway Leveling and Resurfacing
- Rock Clearing
- Precise Edge Work

PRO FEATURES

- Leveling Rake
- Gauge Wheels

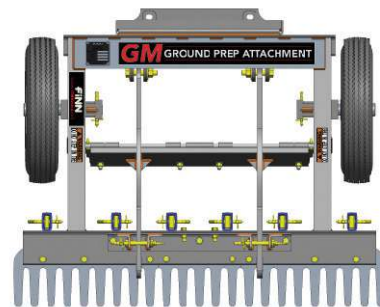
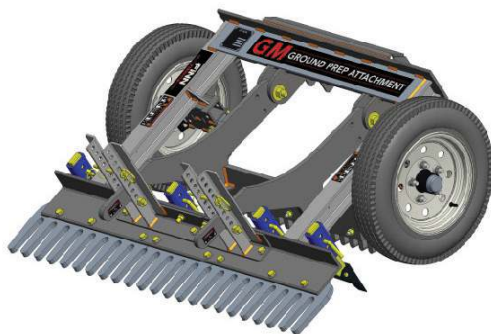
GM Series - Pro Models

Ground Preparation Attachment with Gauge Wheels and Leveling Rake

Technical Specifications

Vehicle	PRO MODELS	
	GM45-3U	GM45-3B
Mode of Transportation	Mini Skid Steer	Mini Skid Steer
Recommended HP Range	24 - 60	24 - 60
Mini Skid Steer Mount	Universal	Bobcat
Hydraulic Ports Needed	No	No
Tool Dimensions		
Overall	54 in. Wide x 40 in. Deep x 20 in. High	54 in. Wide x 40 in. Deep x 20 in. High
Raking Width	54 in.	54 in.
Grading Width	38 in.	38 in.
Scarifying Width	46 in.	46 in.
# of Scarifiers	6	6
Hydraulic Scarifiers	No	No
Scarifier Spacing	8 - 10 in.	8 - 10 in.
Scarifying Depth	0 - 5 in.	0 - 5 in.
Tool Construction		
Frame	Heavy Duty I-Beam & Angle Iron welded construction	Heavy Duty I-Beam & Angle Iron welded construction
Finish Rake	3/4 in. Abrasion Resistant (AR) Steel	3/4 in. Abrasion Resistant (AR) Steel
Scarifying Tip	Bolt-on Cast Iron	Bolt-on Cast Iron
Wheels	16 in. Air Filled	16 in. Air Filled
Color	Black	Black
Weight	540 lbs.	540 lbs.

GM Series - Pro Models-Mini Skid Steer Attachment



9281 LeSaint Drive | Fairfield, OH 45014-5457
Toll Free 800.543.7166 | 513.874.2818

Follow us on: [f](#) [t](#) [in](#) [@](#)
www.FINNcorp.com