



The FINN BB302 Bark Blower applies landscape mulch and other bulk materials with unprecedented efficiency, and eliminates the need for labor-intensive hand application. The 1.5 cubic yard hopper is perfect for smaller jobs and hard to reach areas.

Versatile.

BB302 applications include commercial and residential mulch beds, slopes, public gardens, playgrounds, amusement parks, mall interiorscapes, and other applications that require precise placement of bulk materials. Apply standard bark mulch, wood chips, compost, and other similar bulk materials. Mulch can be applied on virtually any terrain, even in wet conditions.

Labor Saver.

The BB302 Bark Blower significantly reduces worker fatigue. Two operators can easily apply more than 10 cubic yards of bark mulch per hour, compared to approximately 1 cubic yard per man-hour via hand methods. The BB302

helps reduce material cost from 20% to 40% by breaking up material clumps and by producing an even mulch spreading pattern, with fine particles on top.

Capably Equipped.

The BB302 propels bark mulch utilizing a specially engineered air lock and blower system through various lengths of durable 4" flexible hose for application up to 200' away. Remote controls allow the operator to control power and material flow from any operating distance. Units are equipped with 150' of hose, with additional lengths available in 50' or 100' sections. A rear mounted hose reel is standard.

As the world leader for over 80 years in the design and manufacture of innovative, quality equipment for the erosion control industry, FINN Corporation is committed to your complete satisfaction.

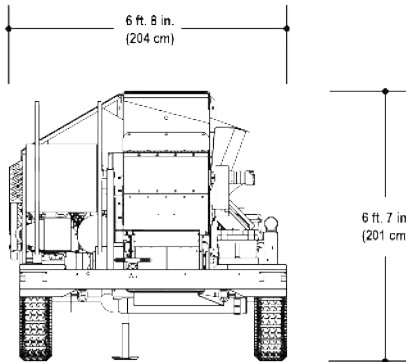
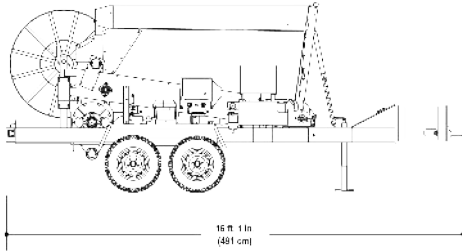
Model shown may include optional equipment.



Bark Blower

Model BB302 with Tier 4Final Diesel Engine

BB302 BARK BLOWER



FINN MODEL BB302 TECHNICAL SPECIFICATIONS

POWER Yanmar 3TNV88C-DYEM, 35.1hp (26.2kw), 3 cylinder water cooled diesel engine. Tier 4Final. 1.642L

ENGINE SAFETY.....Low oil pressure, electronic engine control and SYSTEM monitoring

CAPACITY.....1.5 cubic yd (1.2m³)

FUEL TANK11 gallon (41.6 liter) CAPACITY

BLOWER.....500 cfm @ 10 psi (14 cmm @ 69 kPa)

EMPTY WEIGHT5,350 lbs. (2,427 kg)

GVWR.....6,500 lbs. (2,948 kg)

FINN Corporation has a policy of continuous product improvement, and reserves the right to change design and specifications without notice.

FINN Design® Logo is a trademark of FINN Corporation.



9281 LeSaint Drive • Fairfield, OH 45014-5457
Toll Free 800.543.7166 / 513.874.2818
FINNcorp.com