

FINN[®]

CORPORATION



T90/120 II HydroSeeder

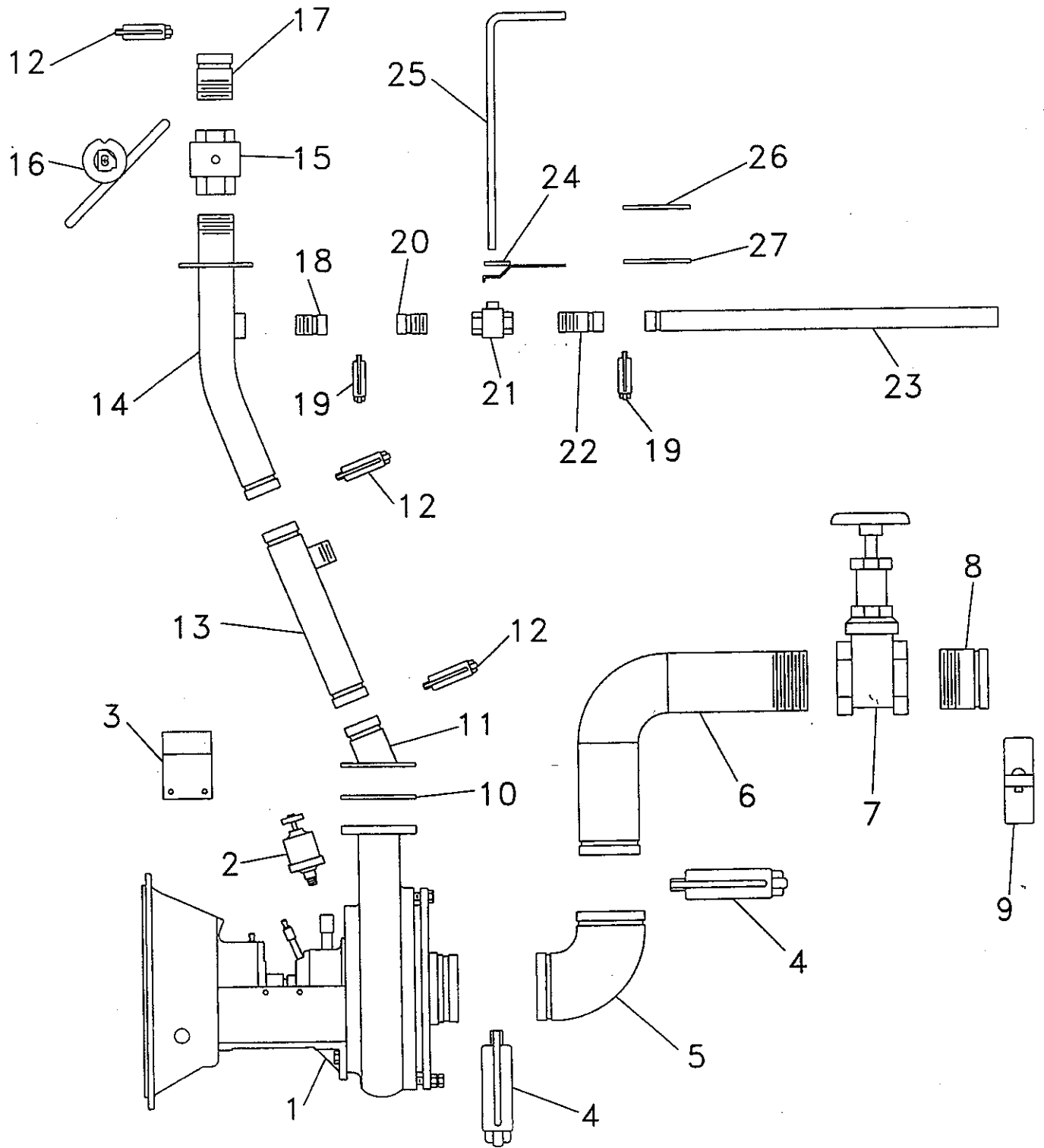
Parts Manual

Model ^{RL+} RLA Serial No. _____



INDEX

Suction, Discharge, and Recirculation Piping	2-3
Clutch/Pump Parts	4-5
Hydraulic Schematic	6-7
Discharge Boom.	8
Hydraulic Agitator Drive	9
Agitator Assembly	10-11
T90 Series II Trailer Assembly	12-13
T120 Series II Gooseneck Assembly	14-15
Skid Parts	16
Hatch Assembly	17
Loose Parts	18-19
Engine Assembly	20-21
Engine Wiring Diagram	22-23
Control Box Wiring Diagram.	24-25
Trailer Wiring Diagram	26
Hose Reel	27
Remote Valve and Discharge Hose Assembly	28
Tool Kit	29
Hydraulic Motor	30
Hydraulic Valve	31
Decal Location	32-33

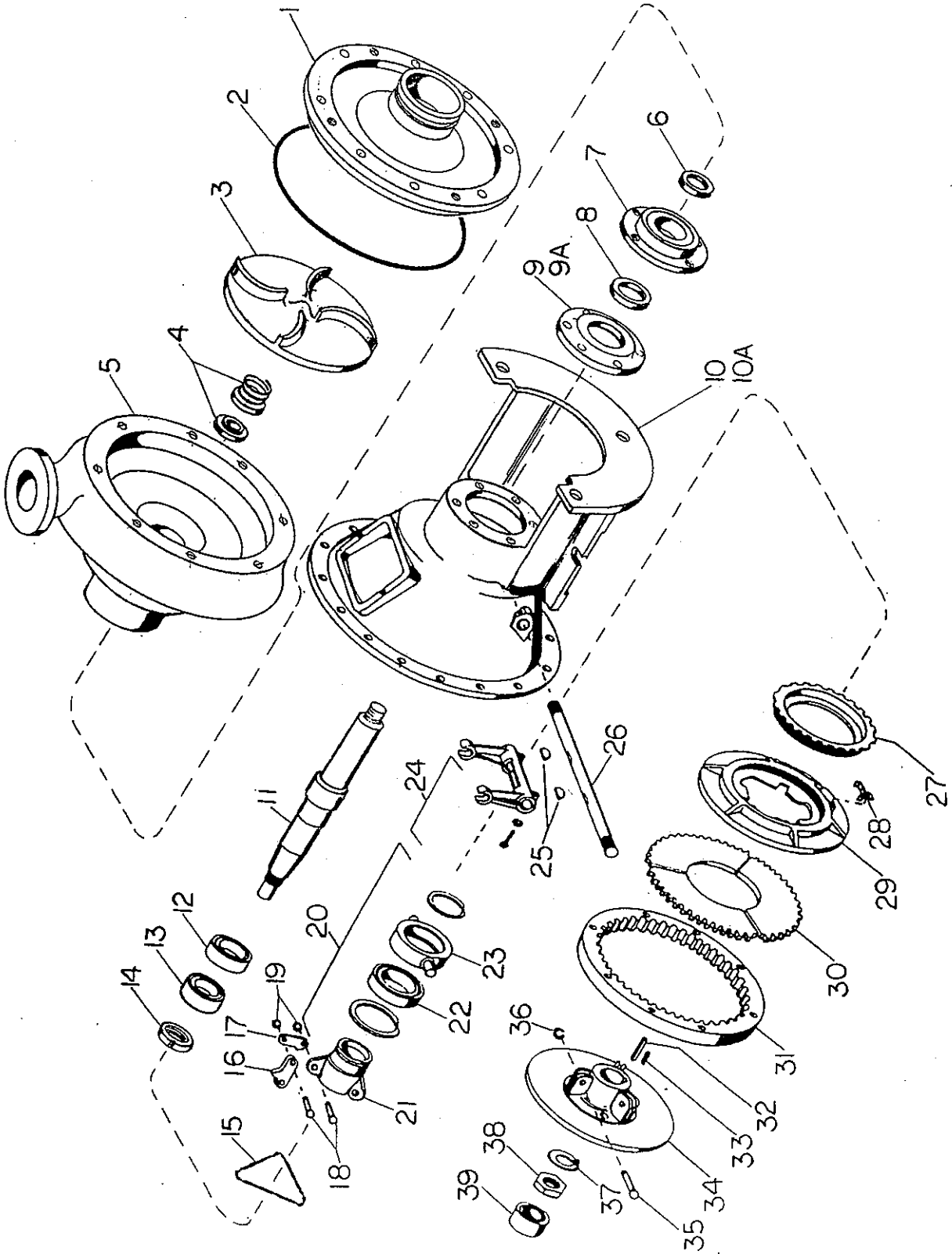


**WHEN ORDERING PARTS, BE SURE TO STATE
SERIAL NUMBER OF MACHINE**

SUCTION, DISCHARGE, AND RECIRCULATION PIPING

Ref. No.	Part Number		Description	No. Req'd	
	T90	T120		T90	T120
1	005571	005571	Clutch/Pump Assembly (See pages 4-5 for parts)	1	1
2	002383	002383	Pressure Lubricator	1	1
3	005470	005470	Pump Shaft Guard	1	1
4	006144	006144	Pipe Clamp	2	2
	006145	006145	Clamp Gasket	2	2
5	006359	006359	90° Pipe Elbow	1	1
6	005524-02	005524-02	Suction Pipe Elbow	1	1
7	008280	008280	Suction Line Shut-Off Valve	1	1
8	005523-06	005523-06	Connector Pipe	1	1
9	006710	006710	Pipe Clamp	1	1
	006145	006145	Clamp Gasket	1	1
10	008469	008469	Discharge Flange Gasket	1	1
11	005526-03	005526-03	Discharge Flange Pipe	1	1
12	006250	006250	Pipe Clamp	3	3
	006251	006251	Clamp Gasket	3	3
13	005526-02	005526-02	Lower Discharge Pipe	1	1
14	005526-01	005526-01	Upper Discharge Pipe	1	1
15	012287	012287	Discharge Ball Valve	1	1
16	005674	005674	Discharge Valve Handle	1	1
17	006483	006483	Boom Connector Pipe	1	1
18	005083-07	005083-07	Recirculation Nozzle	1	1
19	005156	005156	Pipe Clamp	2	2
	005183	005183	Clamp Gasket	2	2
20	005083-08	005083-08	Recirculation Nozzle, Valve	1	1
21	012286	012286	Recirculation Ball Valve	1	1
22	005083-09	005083-09	Recirculation Connector	1	1
23	005518-02	005616-02	Recirculation Pipe	1	1
24	005512-02	005512-02	Recirculation Valve Handle	1	1
25	005512-01	005512-01	Recirculation Valve Handle Actuating Rod	1	1
26	005511-02	005511-02	Upper Valve Handle Pad	1	1
27	005511-03	005511-03	Lower Valve Handle Pad	1	1

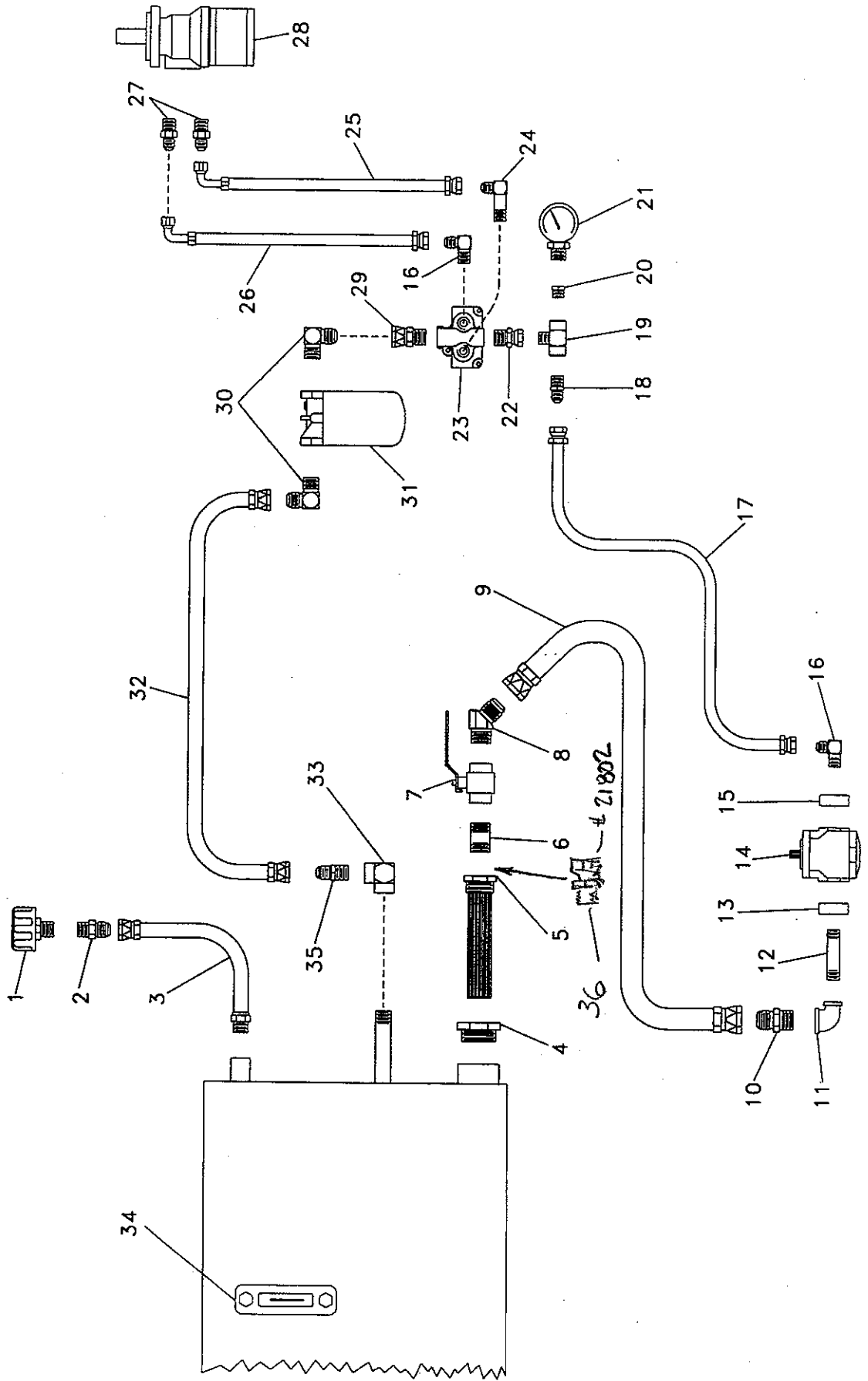
**WHEN ORDERING PARTS, BE SURE TO STATE
SERIAL NUMBER OF MACHINE**



CLUTCH/PUMP ASSEMBLY

Ref. No.	Part Number	Description	No. Req'd
	005571	Clutch/Pump Assembly consisting of:	
1	005146	Suction Cover	1
2	005150	O-Ring	1
3	005543	Impeller	1
4	006443	Mechanical Seal Assembly	1
5	005144	Pump Casing	1
6	006444	Grease Retainer Seal	1
7	005446	Flange Bearing	1
8	005447	Grease Retainer Seal	1
9	005475	Bearing Retainer	1
9A	005544-02	Sealing Gasket	1
10	005430	Clutch/Pump Frame Housing	1
10A	005570	Nameplate	1
11	005541	Shaft	1
12	005450	Radial Ball Bearing	1
13	005449	Radial Ball Bearing with Seal	1
14	005448	Bearing Lock Nut	1
15 *	100211	Spring Lever	1
16 *	100212	Lever	3
17 *	100215	Connecting Link	6
18 *	100216	Link Pin	6
19 *	100217	Retaining Ring	6
20 *	100327	Release Sleeve and P. Assembly	1
21 *	100328	Release Sleeve	1
22 *	100330	Release Bearing	1
23 *	100329	Bearing Carrier	1
24	100073	Clutch Yoke Assembly	1
25	100042	Woodruff Key	2
26	100041	Cross Pin	1
27 *	100210	Retaining Ring	1
28 *	100214	Clutch Lock	1
29 *	100208	Pressure Plate	1
30 *	100206	Clutch Facing	1
31 *	100205	Drive Ring	1
32	1	Clutch Key	1
33 *	100209	Separator Spring	1
34 *	100207	Clutch Body	1
35 *	100213	Pivot Lever Pin	3
36 *	100008	Retaining Ring	3
37	100047	Lock Washer	1
38	100045	Drive Shaft Nut	1
39	005151	Pilot Bearing	1
All *	100333	Clutch Assembly	

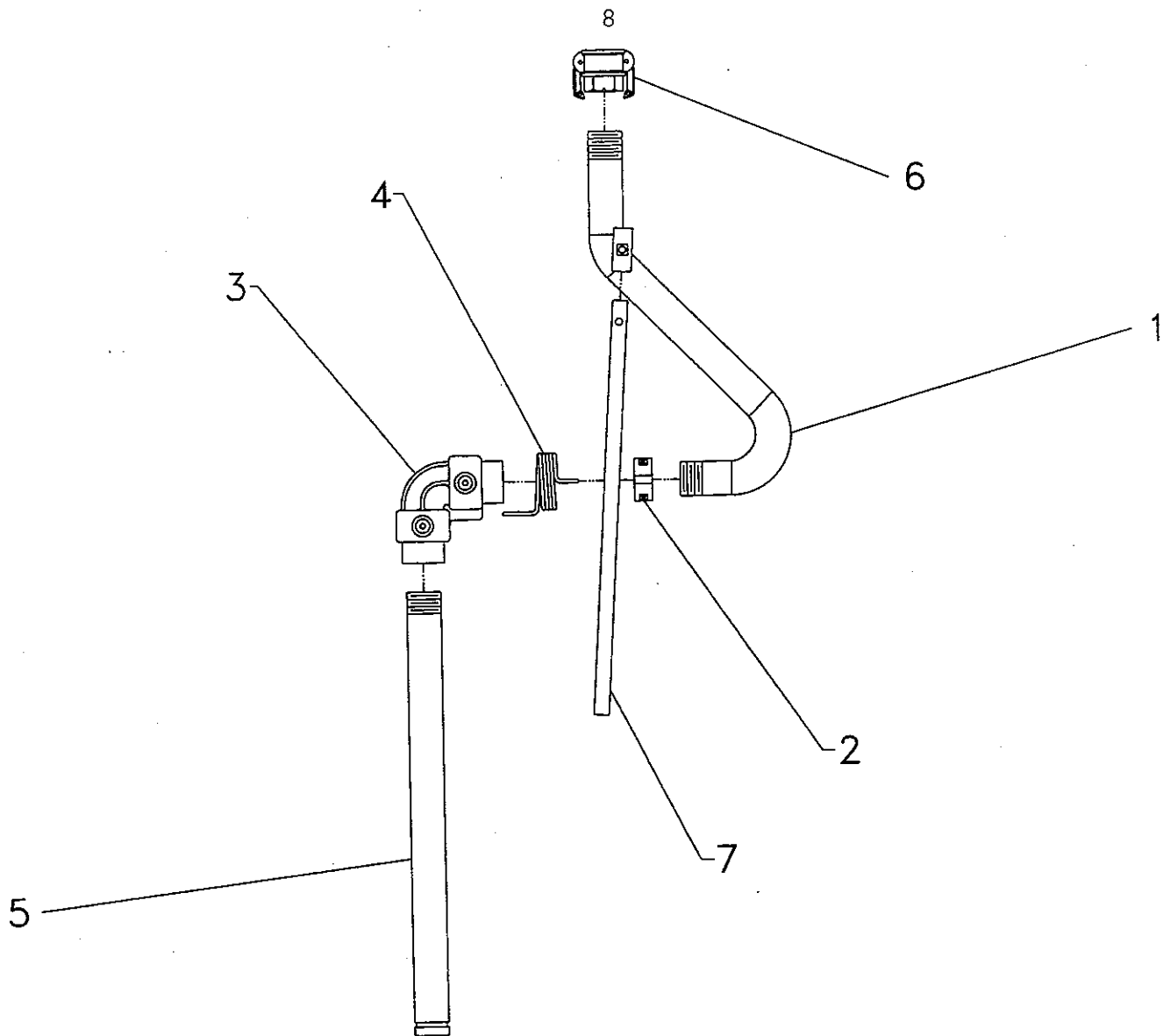
Please do not use this page to obtain clutch part numbers.
See the Clutch Addendum Manual.



HYDRAULIC SYSTEM

Ref. No.	Part Number	Description	No. Req'd
1	004900	Filler Breather Cap	1
2	023616	Straight Male Adapter	1
3	005551	Fill Adapter Hose	1
4	160763	Reducer Bushing	1
5	011466	Suction Strainer	1
6	041162	Pipe Nipple Fitting	1
7	021559	Ball Valve	1
8	005546	Male 45° Adapter Elbow	1
9	005550	Suction Hose	1
10	FW71712	Straight Male Adapter	1
11	160111	Reducing Pipe Elbow	1
12	160426	Pipe Nipple	1
13	005566-01	Inlet Flange	1
	005227	O-Ring	1
14	005642	Hydraulic Pump	1
15	005566-02	Discharge Flange	1
	005661	O-Ring	1
16	023652	Male 90° Adapter Elbow	2
17	005553	Hydraulic Pump Discharge Hose	1
18	041053	Straight Male Adapter	1
19	005547	Female Run Tee	1
20	055229	Hex Reducer Bushing	1
21	012044	Pressure Gauge	1
22	070497	Straight Swivel Adapter	1
23	008293	Hydraulic Valve (See page 31 for parts)	1
	023379	Valve Handle	1
	023120	Seal Kit for Hydraulic Valve	1
24	023618	Male 90° Adapter Elbow	1
25	005554	Short Hydraulic Motor Hose	1
26	005555	Long Hydraulic Motor Hose	1
27	012086	Straight Male Adapter	2
28	005304	Hydraulic Motor (See page 30 for parts)	1
29	005549	Straight Swivel Adapter	1
30	FW71591	Male 90° Adapter Elbow	2
31	021617	Hydraulic Oil Return Filter	1
	021618	Filter Element	1
32	005552	Return Hose	1
33	005639	90° Adapter Elbow	1
34	080329	Hydraulic Level Sight/Temperature Gauge	1
35	005640	Straight Male Adapter	1
36	021802	Straight Male Adapter	1

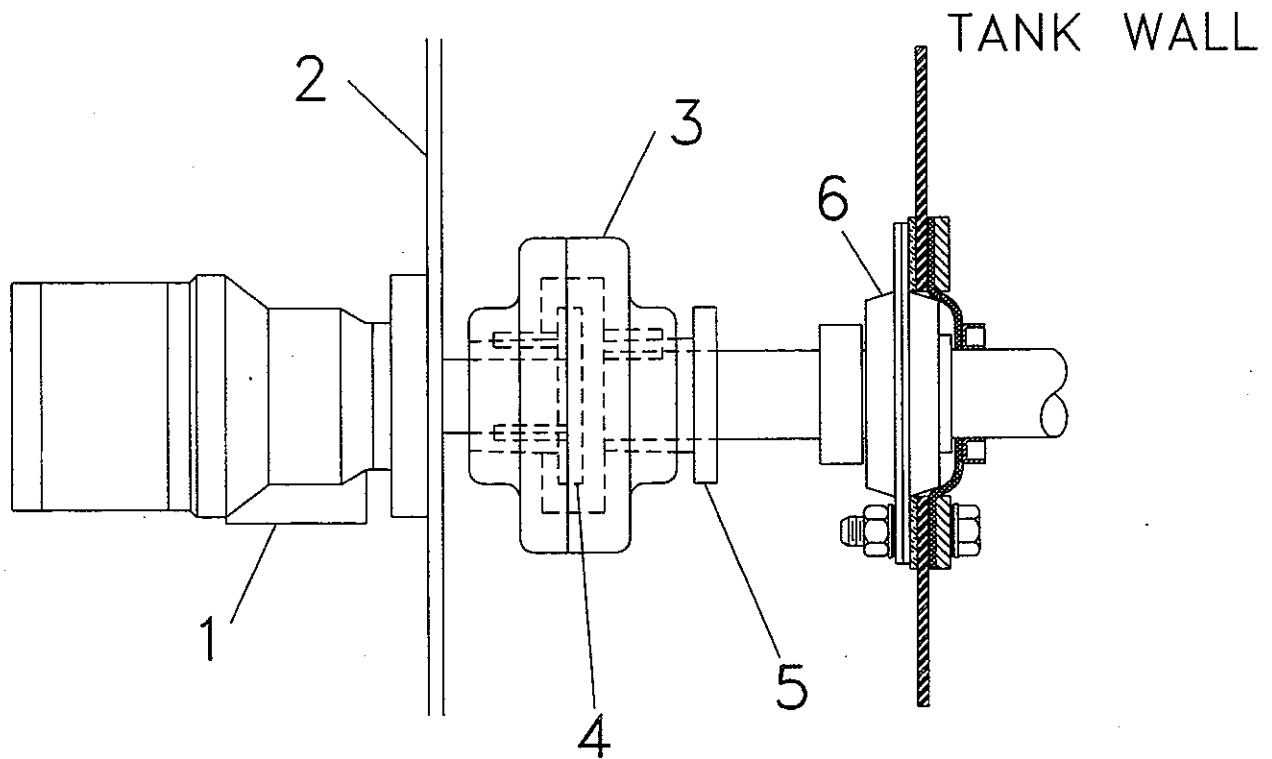
**WHEN ORDERING PARTS, BE SURE TO STATE
SERIAL NUMBER OF MACHINE**



DISCHARGE BOOM

Ref. No.	Part Number	Description	No. Req'd
	005529	Discharge Boom Assembly Consisting of:	
1	005528-01	Boom Weldment	1
2	005528-03	Boom Collar Weldment	1
3	007288	2" Swivel Joint	1
4	007286	Discharge Balance Spring	1
5	005525-02	Upper Discharge Pipe	1
6	006102	2" Part D Coupler	1
	006514	Gasket	1
7	005527-05	Boom Handle	1
	006969	Swivel Repair Kit	2

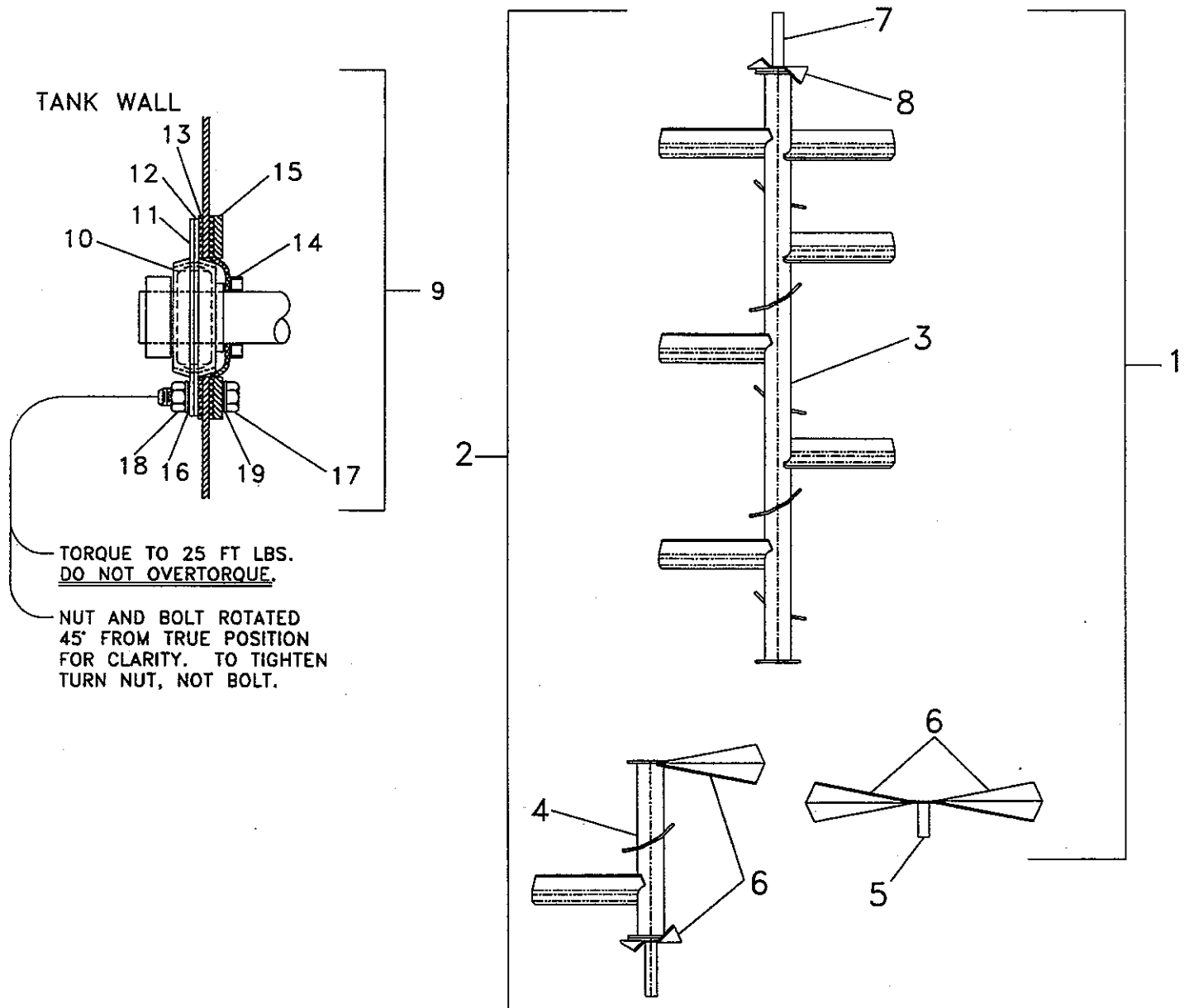
WHEN ORDERING PARTS, BE SURE TO STATE SERIAL NUMBER OF MACHINE



HYDRAULIC AGITATOR DRIVE

Ref. No.	Part Number	Description	No. Req'd
1	005304	Hydraulic Motor (See page 30 for parts)	1
2	005463	Torque Arrestor Plate	1
2A	004630	Rubber Bushing	2
3	023156	Coupling Assembly	1
4	021440	Hydraulic Motor Bushing	1
5	004635	Agitator Shaft Bushing	1
6	007420	Bearing Assembly (See pages 10-11 for parts)	2

**WHEN ORDERING PARTS, BE SURE TO STATE
SERIAL NUMBER OF MACHINE**



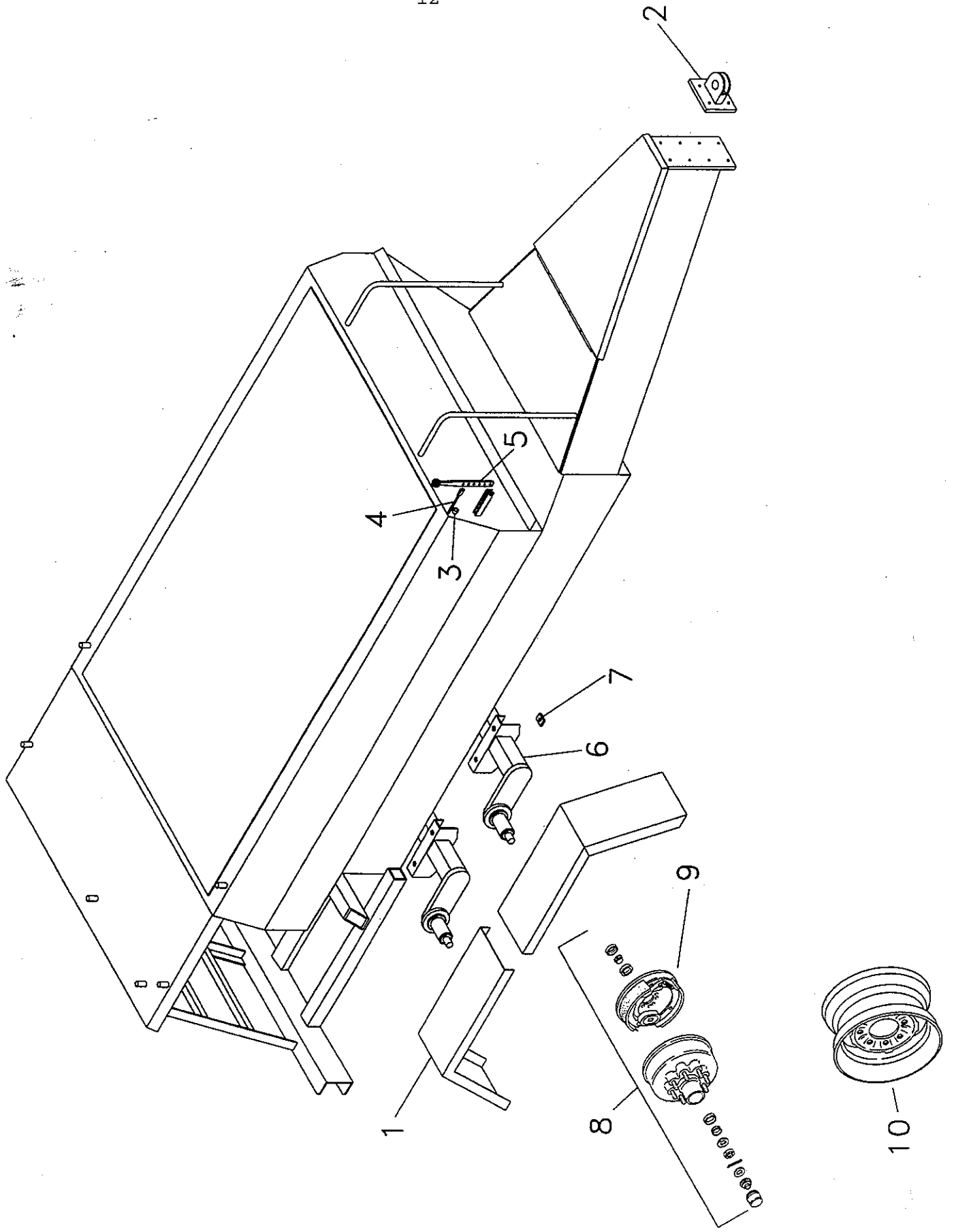
**WHEN ORDERING PARTS, BE SURE TO STATE
SERIAL NUMBER OF MACHINE**

AGITATOR ASSEMBLY

Ref. No.	Part Number		Description	No. Req'd	
	T90	T120		T90	T120
1	005214		T90 Agitator Shaft Assembly	1	
2		005215	T120 Agitator Shaft Assembly		1
3	005080	005080	Main Agitator Section with Paddles	1	1
4		005111	Front Agitator Extension		1
5	005081-03		Agitator Stub Shaft	1	
6	005027-03	005027-03	Bolt-On Paddle, Front	2	3
7	005081-02	005081-02	Agitator Stub Shaft, Drive	1	1
8	005027-02	005027-02	Bolt-On Paddle, Rear with Hole	1	1
	005027-01	005027-01	Bolt-On Paddle, Rear	1	1
9	007420	007420	Bearing and Seal Assembly includes:	2	2
10	003022	003022	Bearing	1 per	1 per
11	007211	007211	Flangette with Lube Coupling	1 per	1 per
12	007212	007212	Flangette	1 per	1 per
13	006975	006975	Gasket	1 per	1 per
14	007416	007416	Shaft Seal	1 per	1 per
15	007417	007417	Clamping Ring	1 per	1 per
16	008008	008008	Rubber Washer	8 per	8 per
*17	X0828SS	X0828SS	Agitator Seal Bolt	4 per	4 per
18	Y08SS	Y08SS	Agitator Seal Nut	4 per	4 per
19	W07FSS	W07FSS	Agitator Seal Washer	8 per	8 per
	005399		Toe Guard		

*NOTE: On T90 Series II and T120 Series II the quantity of Part Number X0828SS is a total of 8 per unit, except for the T90 Series II Trailer unit, which replaces two of this part for Part Number X0840SS. The two replacement bolts are used on the lower two bolts on the front of the unit to hold the toe guard.

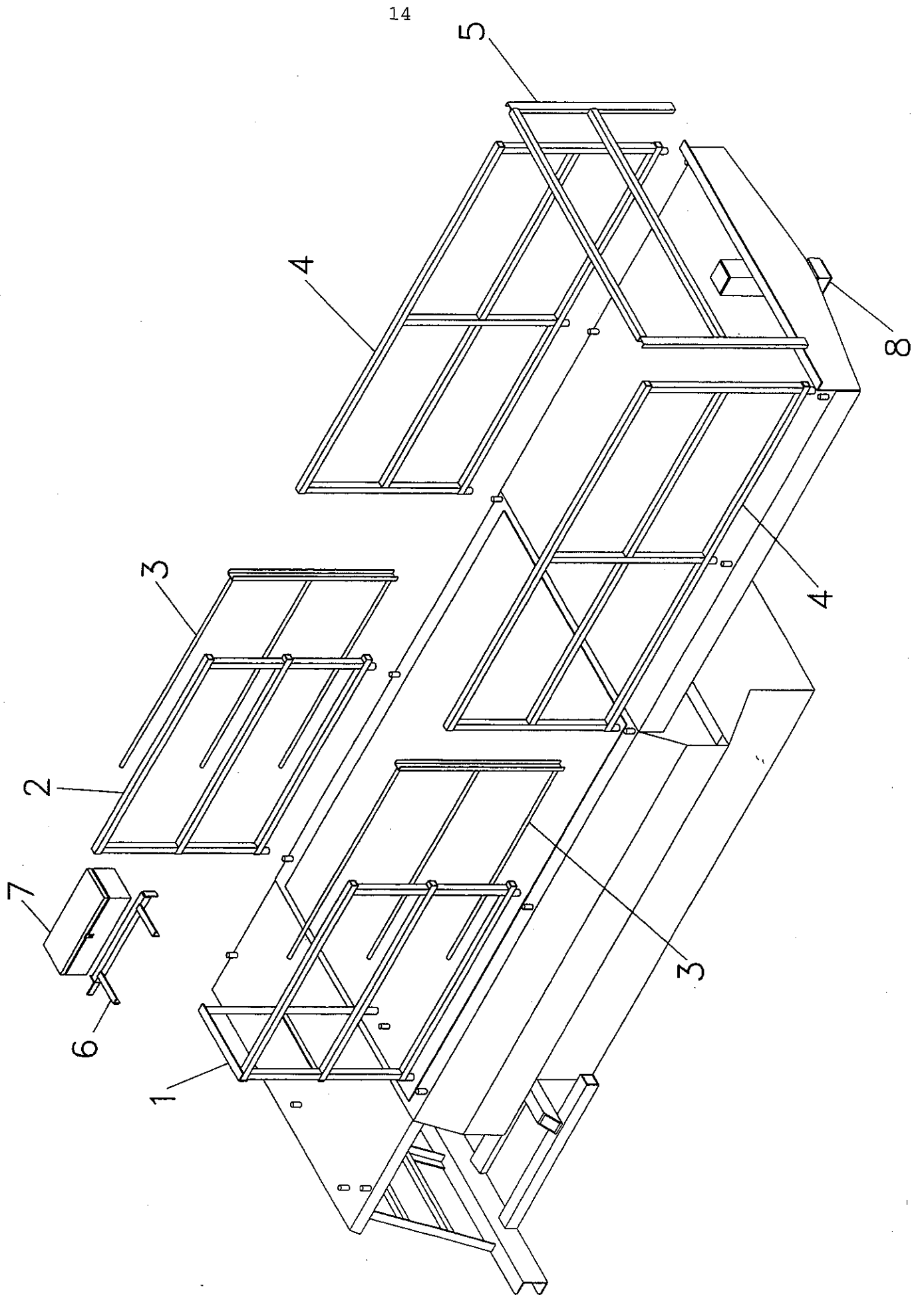
**WHEN ORDERING PARTS, BE SURE TO STATE
SERIAL NUMBER OF MACHINE**



TRAILER ASSEMBLY PARTS

Ref. No.	Part Number		Description	No. Req'd	
	T90	T120		T90	T120
1	005468	005468	Fender	4	4
2	005134		2-5/16" Ball Coupler	1	
	005135		2-5/16" Ball	1	
	080043		Tow Ring (Optional replaces #005134 & #005135)	1	
	005168		Safety Chain	2	
	005169		Clevis Grab Hook	2	
	005170		Chain Connector	2	
3	005515-01		Agitator Control Rod Conduit	1	
	005178		O-Ring	1	
4	005516-01		Agitator Control Rod	1	
5	008475		Agitator Control Handle	1	
6	005637	005567	7000# Torsion Axle, Hub, Drum, and Brakes	2	2
7	031220-03	031220-03	Axle Mounting Shim Plate	8	8
8	WL8-219-4		Hub and Drum Assembly	4	4
	WL10-1		Grease Seal	1 per	
	WL25580		Inner Bearing	1 per	
	WL25520		Inner Cone	1 per	
	WL14276		Outer Cup	1 per	
	WL14125A		Outer Bearing	1 per	
	WL605		Grease Cap	1 per	
	WL6-80		Wheel Nut	8 per	
	WL7-122		Stud	8 per	
	WL5-57		Spindle Washer	1 per	
9	WL6-1		Nut	1 per	
	WL23-181		Right Hand Brake Assembly (Passenger Side)	2	2
	WL23-180		Left Hand Brake Assembly (Driver Side)	2	2
10	005057	005057	Wheel	4	4
	005060	005060	Tire	4	4
	005438		7000# Drop Leg Trailer Jack	1	
	005442	005442	Red Tape Reflector	2	2
	005443	005443	Amber Tape Reflector	2	2
	190136	190136	Red and White Conspicuity Tape	19'	23'
	190137	190137	White Conspicuity Tape	4'	4'

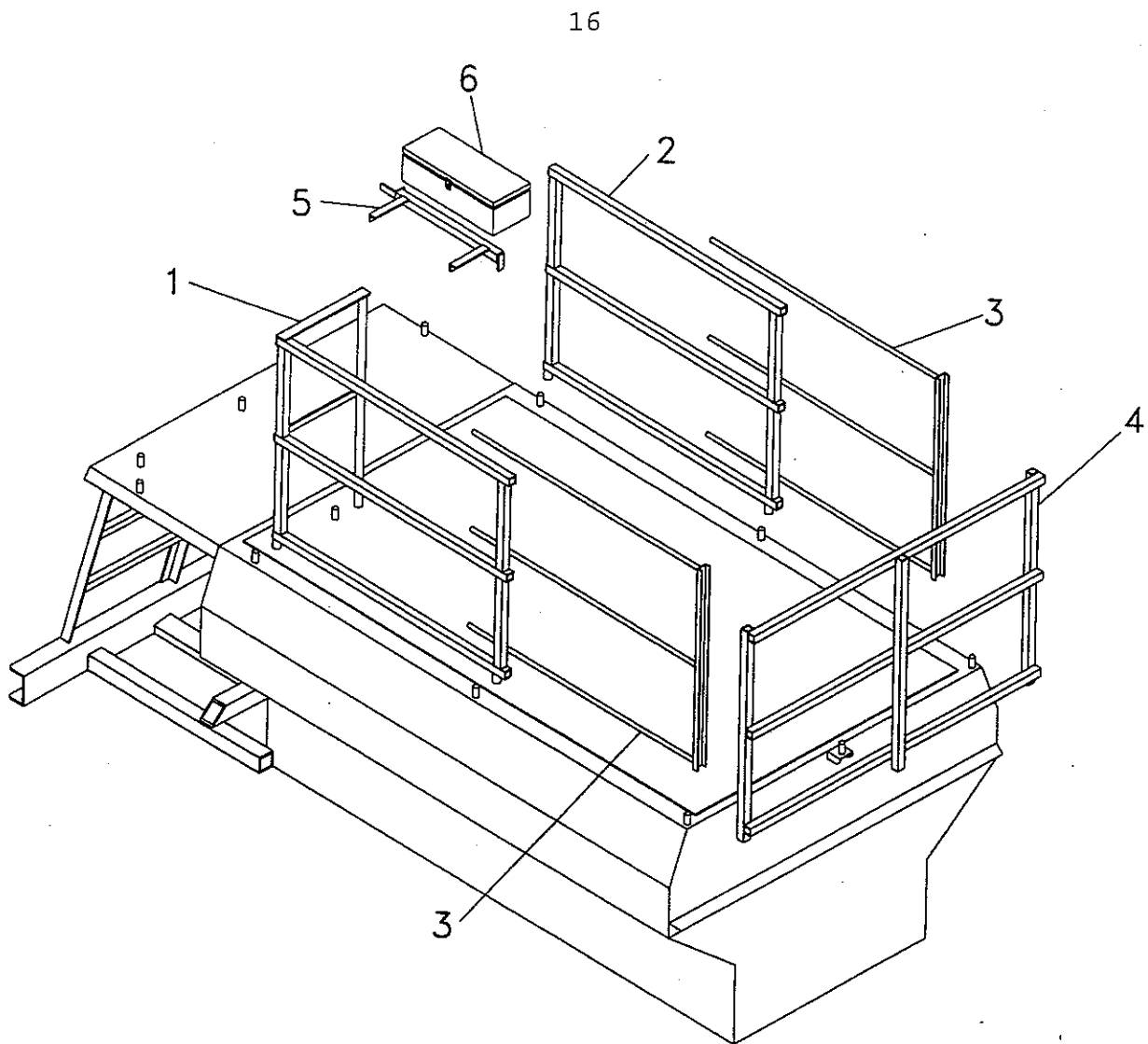
**WHEN ORDERING PARTS, BE SURE TO STATE
SERIAL NUMBER OF MACHINE**



T120 GOOSENECK TRAILER ASSEMBLY

Ref. No.	Part Number	Description	No. Req'd
1	005600	Right Rear Guard Rail	1
2	005598	Left Rear Guard Rail	1
3	005596	Slide Gate	2
4	005599	Gooseneck Deck Rail	2
5	005617	Front Cross Rail	1
6	005618	Tool Box Mount	1
	005619	U-Bolt	1
7	011313	Tool Box	1
	011398	Tool Box Rubber Mount	4
8	004799	Gooseneck Coupler	1
	004798	Trailer Jack	1
	004798A	Trailer Jack Handle	1
	005614-08	Jack Handle Coupling	1
	005614-09	Jack Handle Extension	1
	005613	Square Tubing Plug	4

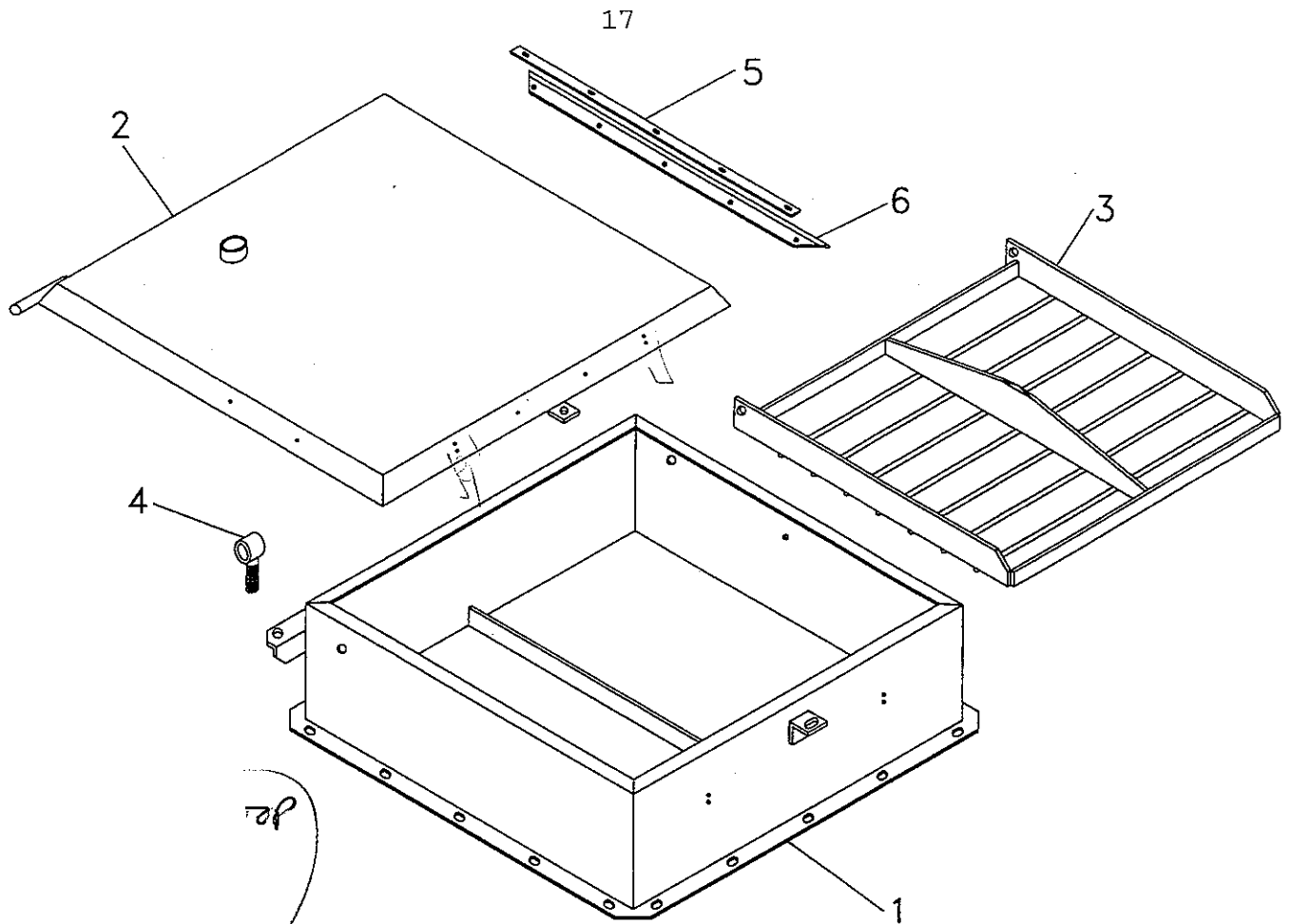
**WHEN ORDERING PARTS, BE SURE TO STATE
SERIAL NUMBER OF MACHINE**



SKID MOUNT PARTS

Ref. No.	Part Number	Description	No. Req'd
1	005600	Right Rear Guard Rail	1
2	005598	Left Rear Guard Rail	1
3	005596	Slide Gate	2
4	005597	Front Cross Rail	1
5	005618	Tool Box Mount	1
	005619	U-Bolt	1
6	011313	Tool Box	1
	011398	Tool Box Rubber Mount	4
	005613	Square Tubing Plug	13

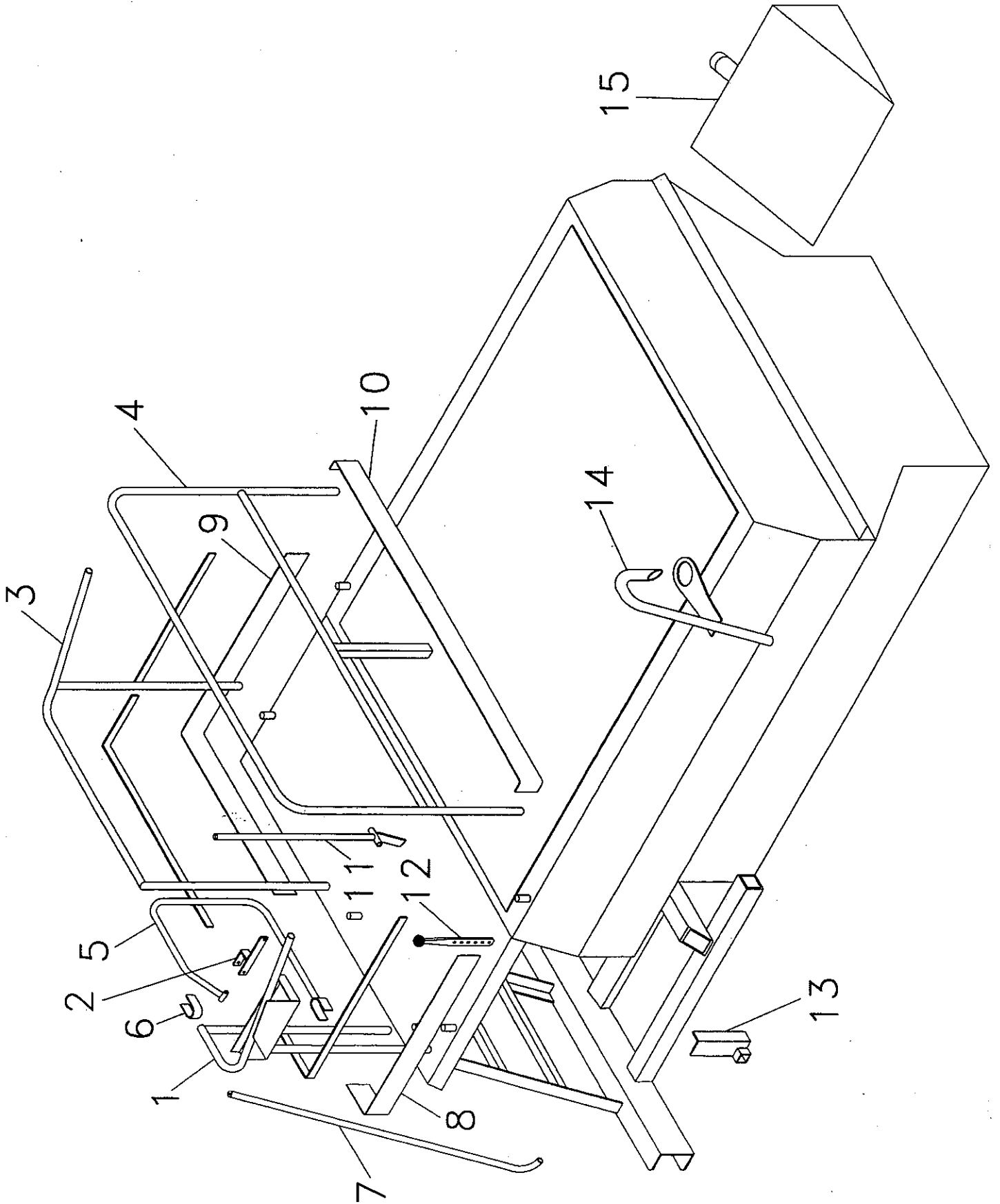
**WHEN ORDERING PARTS, BE SURE TO STATE
SERIAL NUMBER OF MACHINE**



HATCH ASSEMBLY

Ref. No.	Part Number	Description	No. Req'd
1	005486	Hatch Liner	1
2	005488	Hatch Lid	1
3	005484	Bag Cutter	1
	X0848SS	1/2-13 UNC HHCS x 3" Lg. - Stainless Steel	2
	Y08LSS	1/2-13 UNC Lock Nut - Stainless Steel	2
	W08FSS	1/2" Flat Washer - Stainless Steel	2
	008008	Rubber Washer	2
4	070627	Hatch Lid Hinge	2
5	005487-03	Seal Backing Strip	4
6	005487-04	Hatch Lid Seal	4
	005433	Soft Latch	2
	002909	Handle	1
	005565	Hatch Lid Lanyard	1
	005620	Vent Coupler	1
	005621	Vent Adapter	1
	005622	Vent Valve	1
	005623	Vent Elbow	1

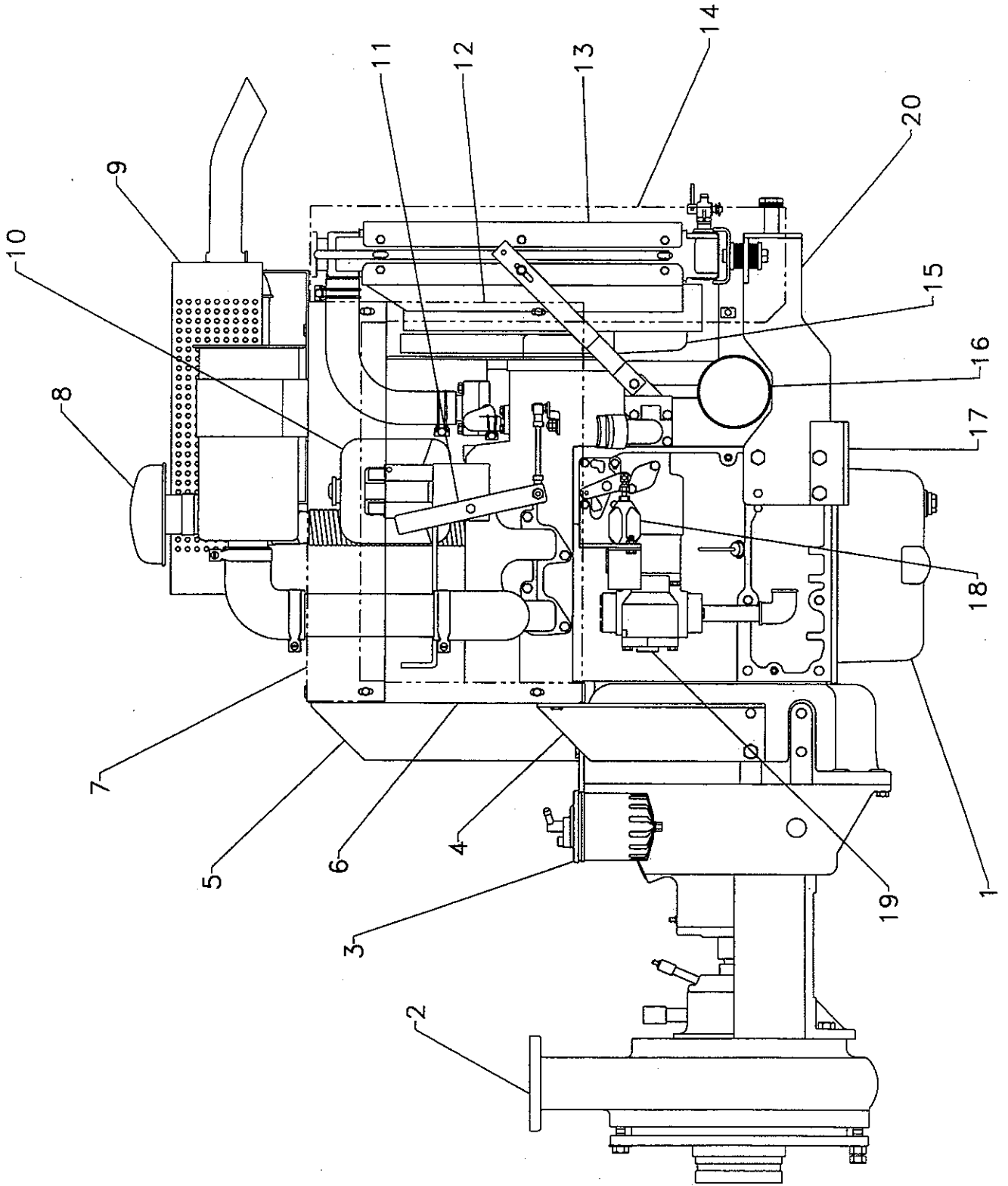
WHEN ORDERING PARTS, BE SURE TO STATE SERIAL NUMBER OF MACHINE



COMMON LOOSE PARTS

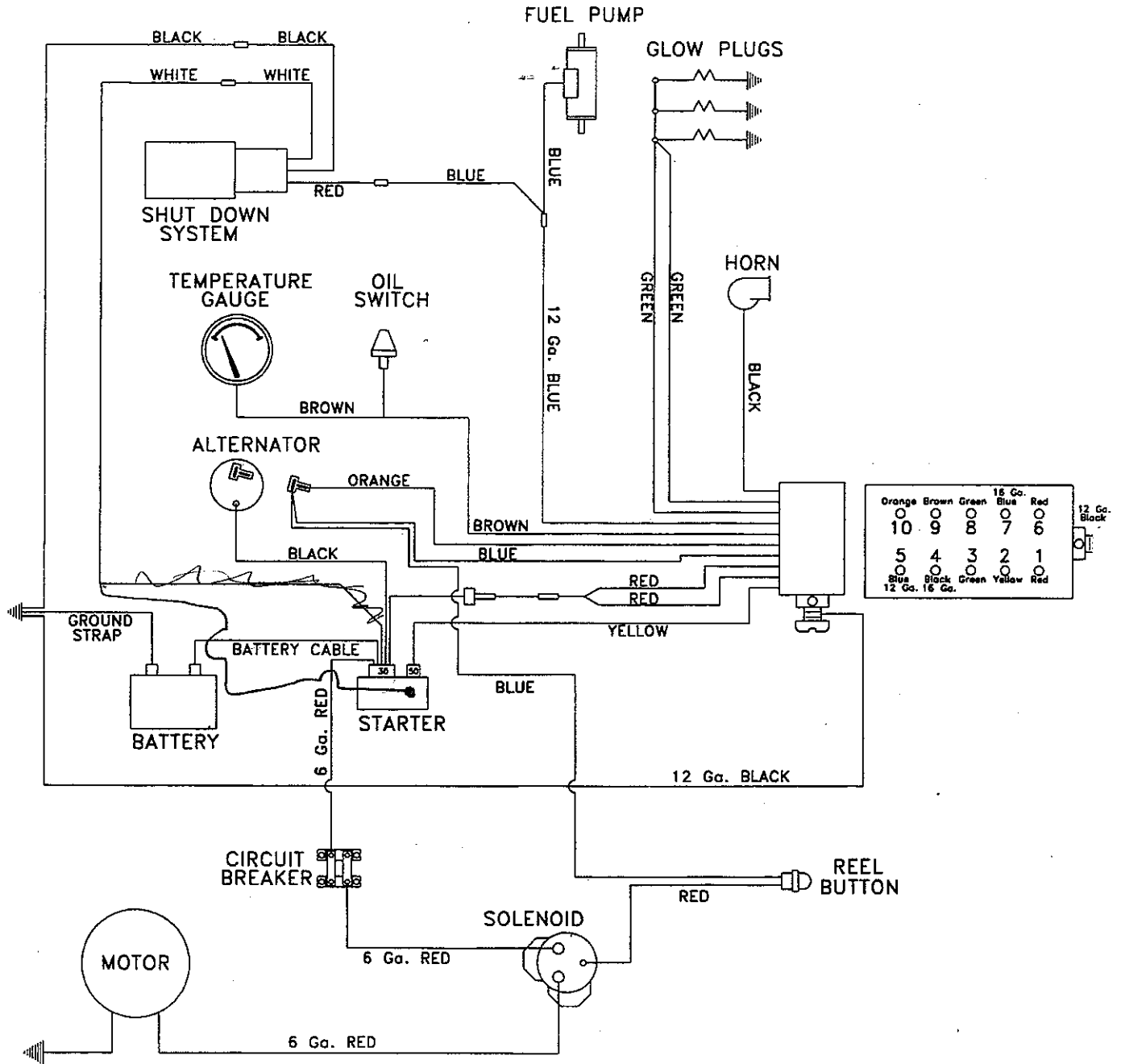
Ref. No.	Part Number	Description	No. Req'd
1	005538	Right Guard Rail	1
	005161	Rubber Strap with "S" Hook	1
	002258	Boom Locking Handle	1
	008454-02	Boom Clamping Strap	1
2	005528-02	Boom Holddown	1
	005564	Pin Lanyard	1
	031245	Snapper Pin	1
3	005540	Left Rear Guard Rail	1
4	005536	Front Cross Rail (T90T Only)	1
5	005533	Gate	1
	012052	Gate Spring	1
6	005532-05	Gate Hinge Mounting Strap	1
	005532-03	Hinge Spacer	1
7	005531-01	Hand Rail	2
8	005462-03	Right Rear Toe Rail	1
9	005462-02	Left Rear Toe Rail	1
10	005462-01	Platform Cross Toe Rail (T90T Only)	1
11	005514-01	Clutch Control Arm	1
	005182-07	Clutch Rod Assembly	1
	006737	Ball Joint	2
	005574-02	Clutch Lever	1
12	005515-02	Agitator Control Handle	1
	006596	Agitator Control Cable	1
	020682	Clevis	2
13	005509-02	Lower Control Box Mount	1
	055346	Knob	1
14	005612	Fill Port	1
	005610-02	Fill Port Support Bracket	1
	011115	U-Bolt	1
	005440	Fillwell	1
	005441	Vented Lid	1
	005564	Lid Lanyard	1
	005544-01	Fill Port Gasket	2
15	005520	Fuel Tank	1
	007914	Fuel Tank Cap	1
	005477	Fuel Level Gauge	1

**WHEN ORDERING PARTS, BE SURE TO STATE
SERIAL NUMBER OF MACHINE**



ENGINE PARTS

Ref. No.	Part Number	Description	No. Req'd
	005507	Engine Assembly Consisting of :	
1	031352	Kubota V1703B Engine	1
2	005571	Clutch/Pump Assembly (See pg. 4-5)	1
3	031355	Fuel Filter Kit	1
	KU16631-43560	Fuel Filter Element without Drain (Blue)	1
	KU70000-43170	Fuel Filter Element with Drain (Silver)	1
	005502-01	Fuel Filter Bracket	1
	080105	Pre-Fuel Filter	1
4	005503-02	Front Shroud Mount	1
5	005503-01	Rear Shroud Mount	1
6	005472	Rear Shroud	1
	008008	Rubber Washer	9
7	005473	Top Shroud	1
8	031354	Air Cleaner Assembly	1
	KU70000-11081	Air Cleaner Element	1
	005504-03	Intake Elbow Set	1
	005504-02	Intake Tube	1
9	031185	Muffler	1
	004595-01	Tailpipe	1
	005505-02	Flex Tube Weldment	1
	005505-01	Exhaust Flange Weldment	1
	KUT0070-16420	Exhaust Flange Gasket	1
	004516	Exhaust Clamp	2
	005558	Muffler Mounting Bracket	1
10	KU15501-72400	Overflow Tank Assembly	1
11	005505-03	Throttle Reverser Weldment	1
	005502-02	Reverse Lever	1
	005445	Throttle Cable	1
	005502-04	Reverse Rod	1
	012193	1/4 Ball Joint	2
12	005474	Side Shroud	1
13	005471	Radiator Shroud	1
	005503-06	Shroud Spacer	2
	008279	Rubber Shock Mount	2
14	005093	Radiator Assembly	1
	005638	Rubber Mount Kit	2
15	005094	Pusher Fan	1
16	KU70000-32091	Oil Filter	1
17	005503-04	Front Engine Foot	1
	005503-03	Rear Engine Foot	1
18	031333	Shut Down Solenoid Kit	1
19	005641	Hydraulic Pump Kit	1
	005642	Hydraulic Pump	1
20	005574-01	Radiator Support	1

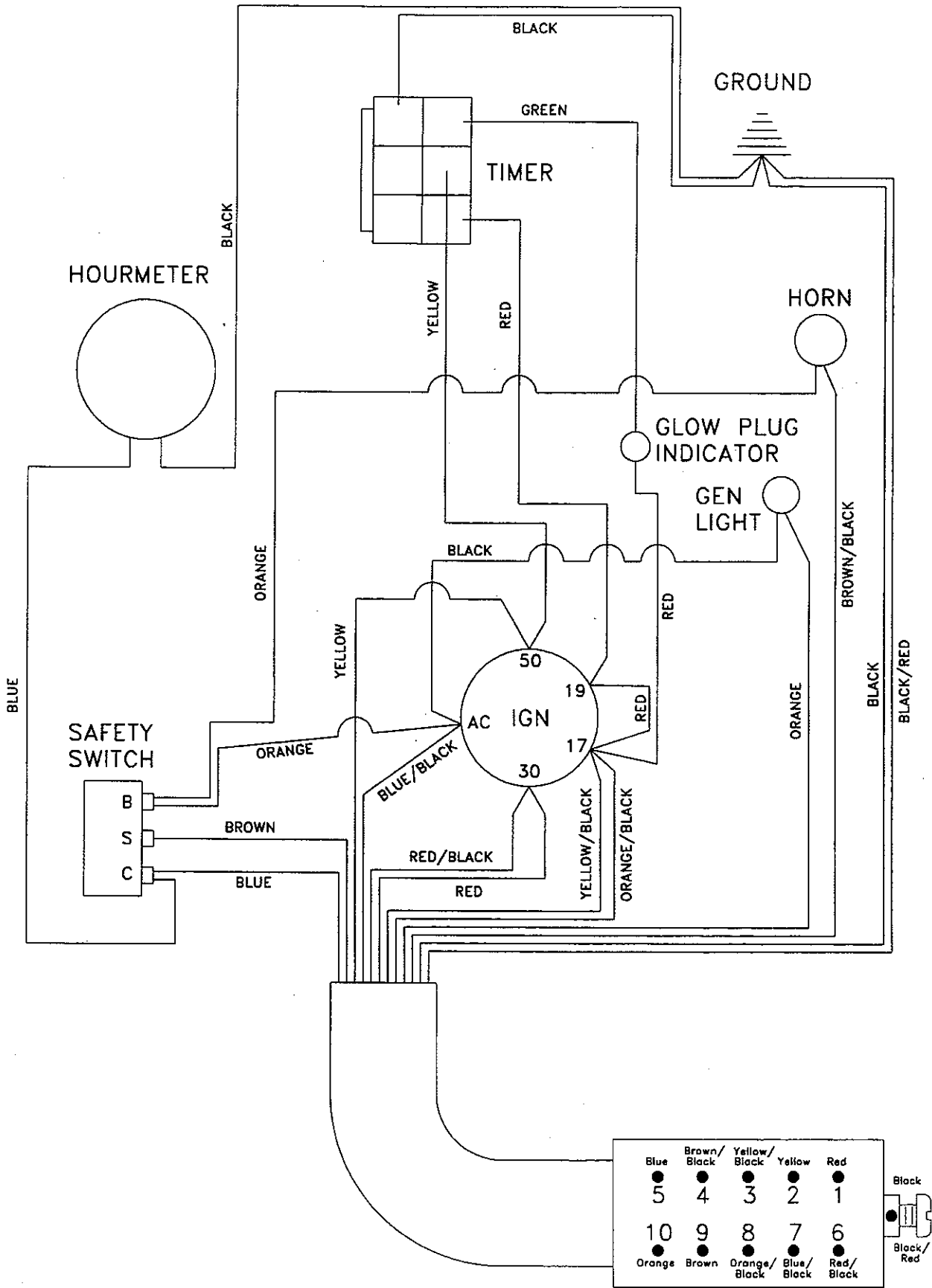


WHEN ORDERING PARTS, BE SURE TO STATE SERIAL NUMBER OF MACHINE

ENGINE WIRING

Part Number	Description	No. Req'd
006499	Horn	1
055384	Temperature Switch	1
004934	Oil Switch	1
002256-12	Battery	1
031031	Battery Cable	1
000241	Ground Strap	1
080103	Fuel Pump	1
031333	Shutdown System	1
170028	Fuse with Holder	1
005561	Electrical Housing	1
023602	Electrical Housing Plug	1
005587	Engine Wiring Harness	1
020886	Hose Reel Button	1
008419	30 Amp Circuit Breaker	1
011654	40 Amp Circuit Breaker	1
008450	Solenoid	1
008188	Hose Reel Motor	1

**WHEN ORDERING PARTS, BE SURE TO STATE
SERIAL NUMBER OF MACHINE**

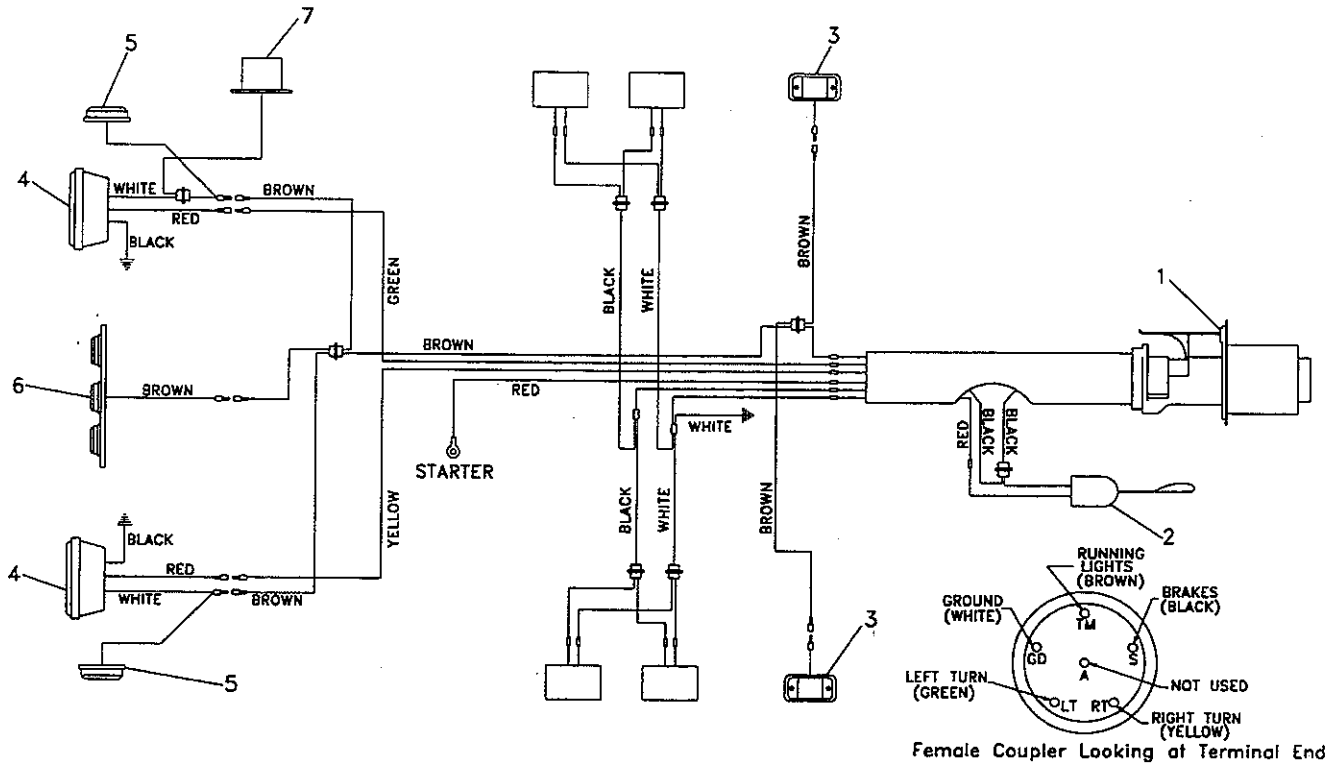


CONTROL BOX WIRING

Ref. No.	Part Number	Description	No. Req'd
1	007274	Hour Meter	1
2	022119 <i>REGAN</i>	Safety Switch	1
3	..KU15694-65990	Glow Plug Timer	1
4	020886	Horn Button	1
5	KU15403-64491	Glow Plug Indicator Light	1
6	006245	Generator Light	1
7	KU66706-55120	Ignition Switch	1
8	023604	Electrical Housing	1
9	---023601---	Electrical Housing Plug	1
	080304	Liquid Tight Fitting	3
	005589	Control Box Wiring Harness	1

Note: Complete Control Box Assembly Is Part # 005604

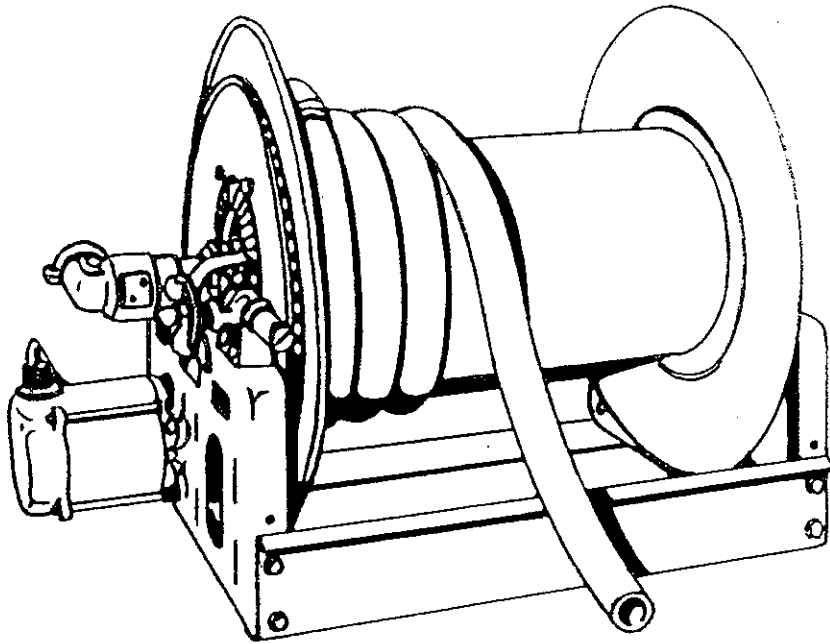
**WHEN ORDERING PARTS, BE SURE TO STATE
SERIAL NUMBER OF MACHINE**



TRAILER WIRING

Ref. No.	Part Number	Description	No. Req'd
1	060069	Trailer Plug	1
2	023424	Breakaway Switch	1
	030934-01	Chain	1
	005016	"S" Hook	2
	005017	Snap	1
3	FW71090	Amber Corner Marker Light	1
4	005434	Taillight	2
5	005435	Side Marker Light - Red	2
6	005437	3 Bar Light	1
7	005436	License Light	1
	004720	License Light Bracket	1
	005442	Red Tape Reflector	2
	005443	Amber Tape Reflector	2
	005585	Trailer Wiring Harness	1

WHEN ORDERING PARTS, BE SURE TO STATE SERIAL NUMBER OF MACHINE



HOSE REEL

Part Number	Description	No. Req'd
008212	Electric Hose Reel	1
008144	Ring Gear	1
008200	Chain with Connecting Link	1
008111	Brake Pad	1
008112	Brake Spring	1
008109	Brake Wheel	1
008313	Drive Side Bearing	1
008314	Idler Side Bearing	1
008433	Pin Lock Assembly with Brackets	1
008199	Chain Sprocket - 11 Tooth	1
008188	Hose Reel Electric Motor	1
011894	Hose Roller and Spool Guide	2
005580	Lead In Hose	1
008210	90° Swivel Elbow	1
007710	Pump Take Off Valve	1
005584	Hose Reel Wiring Harness	1
008419	30 Amp Circuit Breaker	1
011654	40 Amp Circuit Breaker	1
005593	Remote Holder	1
005592	Remote Holder Latch	1
020886	Hose Reel Button	1
008450	Solenoid	1

REMOTE VALVE AND DISCHARGE HOSE EXTENSIONS

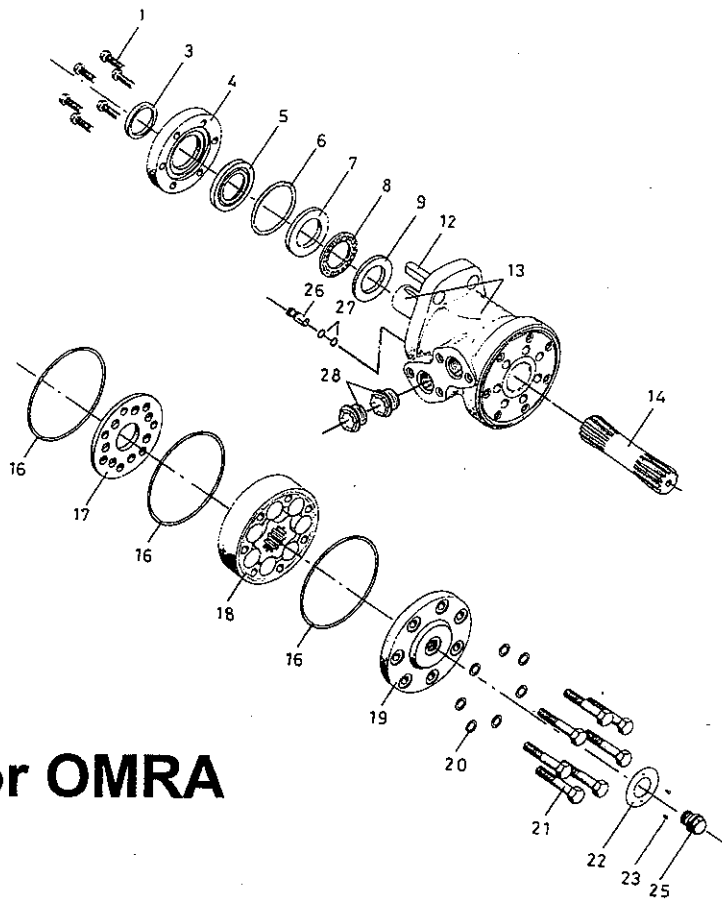
Part Number	Description	No. Req'd
007930	1-1/2" Semi-Rigid Hose Assembly, Boom Connection	1
007929	1-1/2" Hose x 50 feet Long	1
006102	Female Coupler	1
006514	Coupler Gasket	1
006096	Male Adapter	1
160763	Reducer Bushing	1
007930-01	1-1/2" Semi-Rigid Hose Assembly, Take-Off Connection	1
007929	1-1/2" Hose x 50 feet Long	1
002158	Female Coupler	1
006515	Coupler Gasket	1
001207	Male Adapter	1
007536	1-1/4" Semi-Rigid Hose Assembly, Boom Connection	1
003308	1-1/4" Hose x 50 feet Long	1
006102	Female Coupler	1
006514	Coupler Gasket	1
006096	Male Adapter	1
160792	Reducer Bushing	1
003309	1-1/4" Semi-Rigid Hose Assembly, Take-Off Connection	1
003308	1-1/4" Hose x 50 feet Long	1
002158	Female Coupler	1
006515	Coupler Gasket	1
001207	Male Adapter	1
160756	Reducer Bushing	1
080535	Remote Valve Assembly	1
080260	Male Adapter	1
160307	Close Nipple	1
012083	Ball Valve	1
160520	Nipple	1
080261	Female Coupler	1
006515	Coupler Gasket	1
007711	Pump Discharge Take-Off Valve Assembly	1
007710	Ball Valve	1
160309	Nipple	1
002158	Female Coupler	1
006514	Coupler Gasket	1
080273	Long Distance Hose Reel Nozzle Assembly	1
080131	Long Distance Nozzle	1
080260	Nyglass Adapter	1
160749	Reducer Bushing	1
080394	Wide Fan Hose Reel Nozzle Assembly	1
006604	Wide Fan Nozzle	1
080260	Nyglass Adapter	1
160750	Reducer Bushing	1
080395	Narrow Fan Hose Reel Nozzle Assembly	1
006605	Narrow Fan Nozzle	1
080260	Nyglass Adapter	1
160750	Reducer Bushing	1

TOOL KIT

Part Number	Description	No. Req'd
000698	Automatic Pressure Lubricator Grease, 1# Tub	1
005220	Impeller Wrench	1
008187	Long Distance Nozzle	1
006632	Long Distance Nozzle Assembly	1
001042	Long Distance Nozzle	1
006096	Brass Adapter	1
160309	Close Nipple	1
160763	Reducer Bushing	1
006619	Wide Ribbon Nozzle Assembly	1
006493	Wide Ribbon Nozzle	1
006096	Brass Adapter	1
160762	Reducer Bushing	1
005603	Narrow Ribbon Nozzle Assembly	1
012117	Narrow Ribbon Nozzle	1
006096	Brass Adapter	1
160762	Reducer Bushing	1
004593	Drain Plug	1
006102	Brass Coupler	1
006514	Coupler Gasket	1
012681A	Finn Beige Spray Paint	1
KU70000-73886	Engine Parts Manual	1
	HydroSeeder® Operator's Manual	1
	HydroSeeder® Parts Manual	1

**WHEN ORDERING PARTS, BE SURE TO STATE
SERIAL NUMBER OF MACHINE**

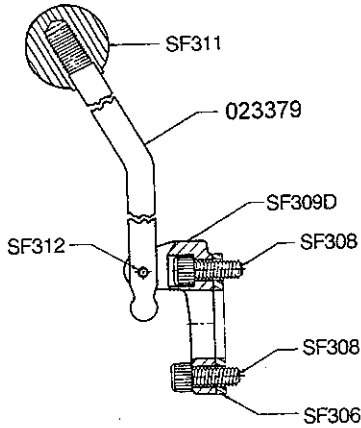
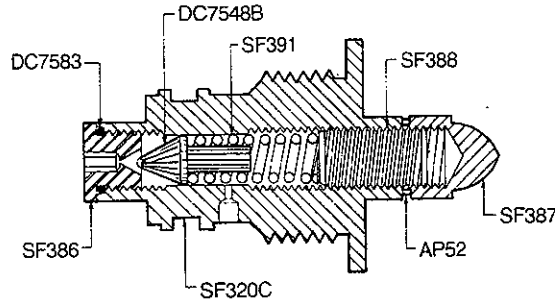
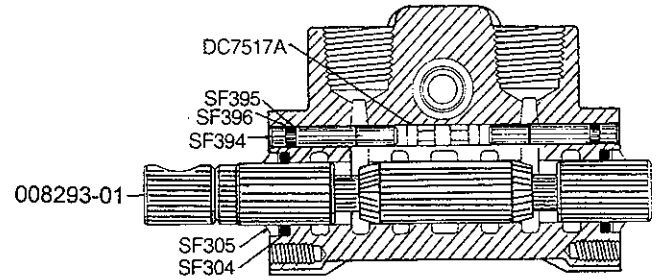
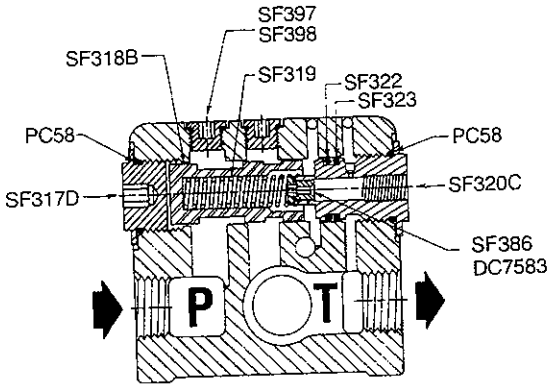
SPARE PARTS

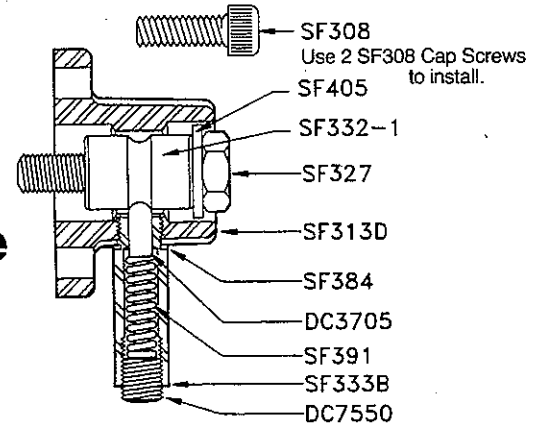
Hydraulic Motor OMRA

Ref. No.	Part Number	Description	No. Req'd
1	681X1989	Bolt	6
• 3	633B3198	Dust Seal Ring	1
4	151-1734	Spigot Flange	1
• 5	633B3273	Shaft Seal	1
• 6	633B1528	O-Ring	1
7	151-1701	Bearing Race	2
8	981X3198	Axial Needle Bearing	1
9	151-1701	Bearing Race	1
12	151-4109	Key	1
13		Housing and Output Shaft (Not sold separately)	1
14	151-1819	Cardan Shaft	1
• 16	633B1301	O-Ring	3
17	151-1702	Distributor Plate	1
18	151-1191	Gear Wheel Set	1
19	151-1731	End Cover	1
• 20	684X2481	Washer	7
21	681X1105	Bolt	7
22	151A0309	Name Plate	1
23	681Z1011	Drive Screw	2
25	631X2013	Drain Plug w/O-Ring	1
26	151-1076	Check Valve	2
27	633B1422	O-Ring	4
28	633X1021	Seal Plug	2

All parts marked with a "•" make up Seal Kit, Part Number 005413.

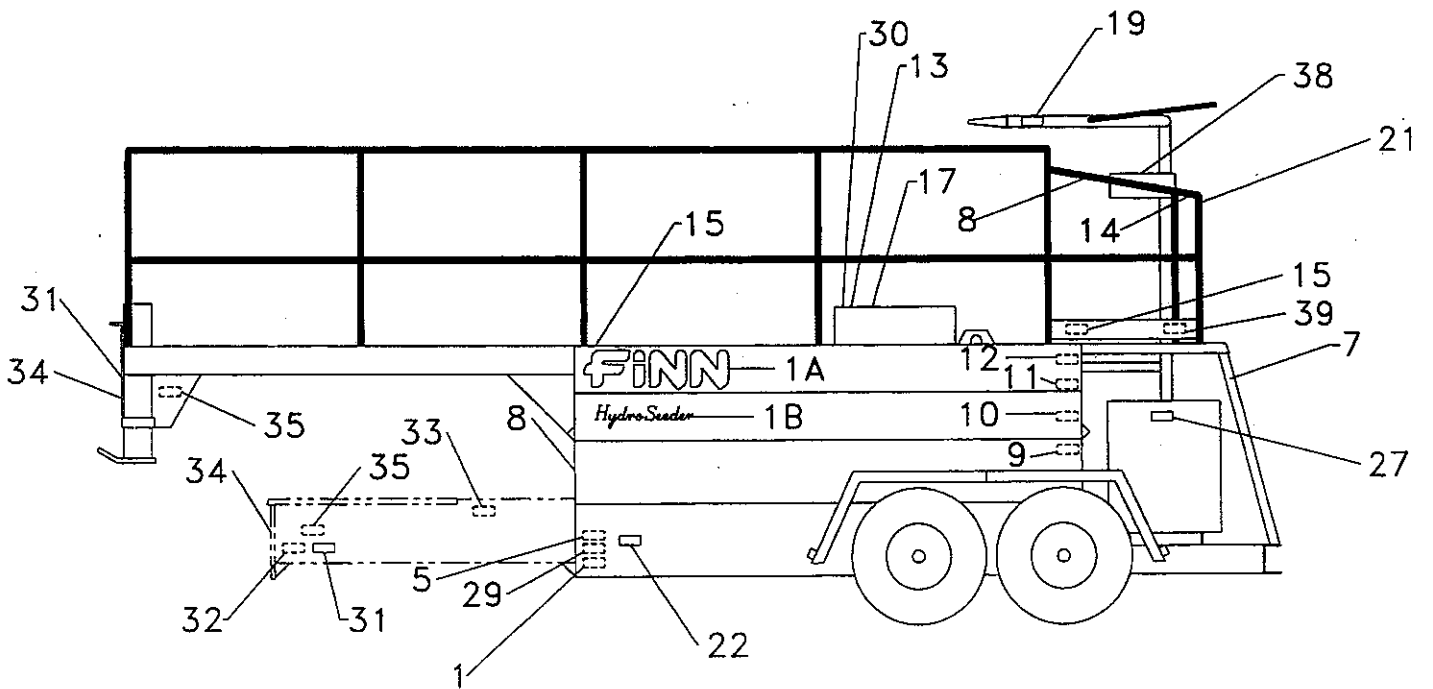
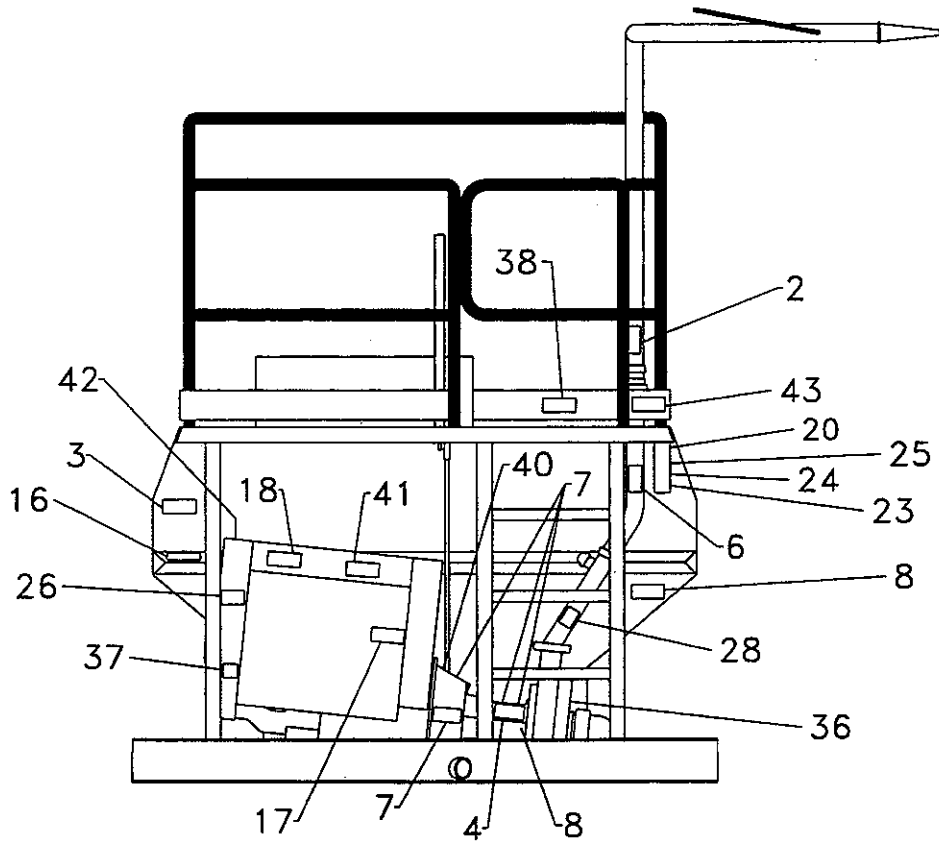


BRAND Flow Control Valve SCDF Series



All parts marked with a "●" make up Seal Kit, Part Number 023120

AP52	Washer	SF312	Roll Pin	SF333B	Detent Housing
DC3705	Detent Plunger	SF313-D	1/8" x 1-3/8"	SF384	Washer
DC7517A	Shuttle Spool	SF317D	Detent End Cap	SF386	Seat
DC7548B	Poppet	SF3181B	Plug	SF387	Acorn Nut
DC7550	Set Screw	SF319	Metering Spool	SF388	Set Screw
●DC7583	O-Ring	SF320C	Metering Spring	SF391	Spring
●PC58	O-Ring	●SF322	Cartridge	SF394	Shuttle Stop
●SF304	Seal	●SF323	O-Ring	●SF395	O-Ring
SF305	Wiper	SF327	Back Up	●SF396	Back Up
SF306	Seal Retainer	SF327	Cap Screw	SF397	Plug
SF308	Cap Screw	SF332-1	5/16-18 x 1-1/2"	●SF398	O-Ring
	1/4-20 x 3/4"		Friction	SF405	Washer
SF309D	Handle Bracket		Positioning	008293-01	Spool
SF311	Knob		Sleeve	023379	Handle



DECALS

Ref. No.	Part Number	Description	No. Req'd
1	011690	FINN Name Plate	1
1A	023174	"FINN" Decal	2
1B	011595	"HydroSeeder" Decal	2
2	005216	Decal "DANGER! OPEN RECIRCULATION"	1
3	021665	Decal "HYDRAULIC INSTRUCTIONS"	1
4	006869	Decal "PRESSURE LUBRICATOR"	1
5	020976	Decal "PATENT INFRINGEMENT"	1
6	008209	Decal "DANGER! BEFORE LOOSENING CLAMP"	1
7	007231	Decal "SERVICE WEEKLY"	5
8	007230	Decal "SERVICE DAILY"	3
9	005184	Decal "250 GALLONS"	1
10	005186	Decal "500 GALLONS"	1
11	005187	Decal "800 GALLONS"	1
12	005188	Decal "1000 GALLONS" (T120II Only)	1
13	008097	Decal "DANGER! BEFORE ENTERING TANK"	1
14	004661	Decal "CLUTCH ENGAGEMENT"	1
15	008286	Decal "AGITATOR SPEED"	2
16	012272	Decal "HYDRAULIC FLUID ONLY"	1
17	023519	Decal "CAUTION! WEAR EYE PROTECTION"	2
18	022357	Decal "WARNING! TURN OFF ENGINE"	1
19	011567	Decal "DANGER! DO NOT AIM STREAM"	1
20	006870-HORN	Decal "HORN"	1
21	022199	Decal "THROTTLE"	1
22	023391	Decal "DIESEL FUEL ONLY"	1
23	022082	Decal "HOLD BUTTON IN FOR 10 SECONDS"	1
24	080108-03	Decal "GLOW PLUG"	1
25	006870-GEN	Decal "GEN"	1
26	012179	Decal "DO NOT OPERATE WITHOUT GUARDS"	1
27	007429	Decal "RADIATOR PROTECTION"	1
28	011569	Decal "CAUTION! REMOTE VALVE & HOSE REEL"	1
29	011662	Decal "PATENT NUMBERS"	1
30	012041	Decal "HYDROSEEDER OPERATION"	1
31	031227	Decal "ALWAYS INSPECT HITCH" (Trailer Only)	1
32	031228	Decal "SAFETY CHAIN" (T90II Trailer Only)	1
33	080107	Decal "ALWAYS USE STEP" (T90II Trailer Only)	1
34	005022	Decal "USE 2-5/16" BALL ONLY" (Ball Hitch Only)	1
35	023423	Decal "BREAKAWAY SWITCH" (Trailer Only)	1
36	012180	Decal "TO AVOID DAMAGE TO SUCTION COVER"	1
37	012251	Decal "WARNING! ROTATING FAN"	1
38	020970	Decal "CAUTION! DO NOT RIDE"	1
39	012031	Decal "VALVE OPERATION"	2
40	031297	Decal "CLUTCH OPERATION"	1
41	012278	Decal "DANGER! HOT EXHAUST"	1
42	012279	Decal "WARNING! TO PREVENT..."	1
43	012260	Maintain Safety Decal Plate	1

Note: Safety Decals must be purchased as a kit reference Numbers 2 Through 43.
Part # 005738

