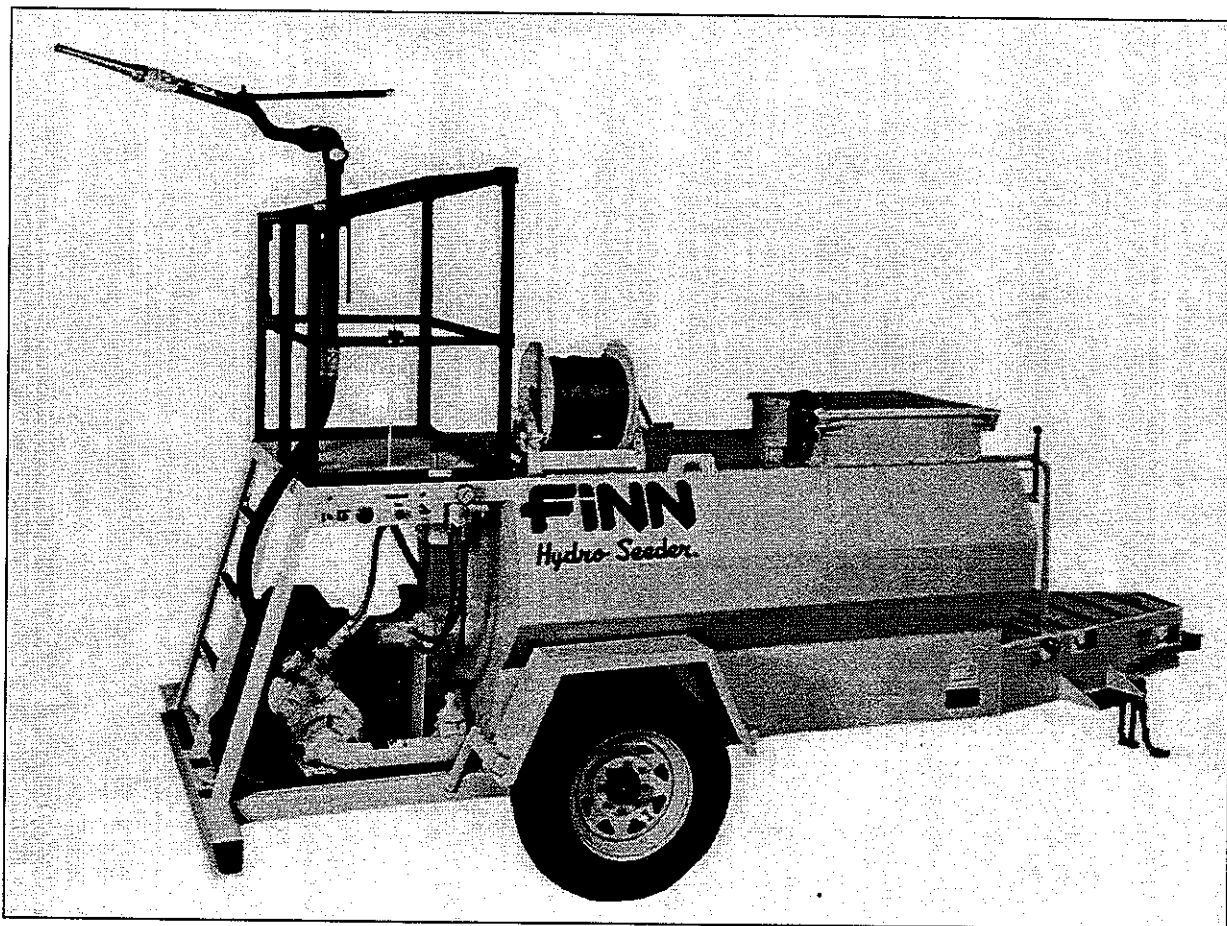


FINN[®]

CORPORATION



T60 II HydroSeeder[®]

Parts Manual

Model RN Serial No. _____

WARRANTY

Finn warrants to the original Purchaser for use (or rental to others for use) all new construction machinery and attachments therefore manufactured by Finn to be free from defects in material and workmanship for a period of 12 months from date of purchase or 1200 hours of use, whichever comes first. Replacement parts provided under the terms of this warranty are warranted for the remainder of the warranty period applicable to the product in which installed, as if such parts were original components of that product. Finn makes no warranty with respect to (a) allied equipment or trade accessories not manufactured by it (such as, but not limited to tires, ignitions, starters, hose, batteries, magnetos, carburetors, engines or like or unlike equipment or accessories), such being subject to the warranty, if any, provided by their respective manufactures; or (b) secondhand, used, altered, or rebuilt machines. Further, the warranty herein expressed shall be rendered null and void to the extent any defect or failure of the products warranted hereby arises out of or is caused by accessories or component parts not manufactured or supplied by Finn, whether same are supplied by Purchaser, dealers or any other party. THE WARRANTY DESCRIBED IN THIS PARAGRAPH SHALL BE IN LIEU OF ALL OTHER WARRANTIES, EXPRESS OR IMPLIED, INCLUDING, BUT NOT LIMITED TO, ANY IMPLIED WARRANTY OF MERCHANTABILITY OR FITNESS FOR A PARTICULAR PURPOSE.

Upon notification of Finn during the above-stated warranty period of any failure to conform to this warranty, and upon inspection by Finn to verify said nonconformity and verify the continuing existence of the warranty period, Finn will provide a new part or a repaired part, whichever Finn elects, to replace the part found to be defective. Such parts will be provided without charge to the Purchaser during normal working hours at a place of business of a Finn dealer or other establishment authorized by Finn to effect said repairs or replacements, but Purchaser shall bear all costs of transporting the product to and from such place of business or establishment. Correction of nonconformities, in the manner and for the period time provided above, shall constitute fulfillment of all liabilities of Finn under this contract.

THE REMEDIES OF THE USER SET FORTH HEREIN ARE EXCLUSIVE, WITHOUT REGARD TO WHETHER ANY DEFECT WAS DISCOVERABLE OR LATENT AT THE TIME OF DELIVERY OF THE PRODUCT TO THE PURCHASER. The essential purpose of this exclusive remedy shall be to provide the Purchaser with repair or replacement of parts that prove to be defective within the period and under the conditions previously set forth. This exclusive remedy shall not have failed of its essential purpose (as that term is used in the Uniform Commercial Code) provided Finn remains willing to repair or replace defective parts within a commercially reasonable time after it obtains actual knowledge of the existence of a particular defect.

IN NO EVENT SHALL FINN BE LIABLE FOR ANY SPECIAL, CONSEQUENTIAL, INCIDENTAL OR INDIRECT DAMAGES, INCLUDING LOST PROFITS OR LOST COMMERCIAL OPPORTUNITIES, WITH RESPECT TO THE SALE OF THE ABOVE WARRANTED PRODUCT OR ANYTHING DONE IN CONNECTION THEREWITH, OR FOR PROPERTY DAMAGE SUSTAINED BY A PERSON CLAIMING TO BE A THIRD PART BENEFICIARY OF A SURVIVING WARRANTY UNDER THE LAW OF ANY JURISDICTION.

NOTICE

FINN CORPORATION URGES THE USE OF ONLY FINN CORPORATION SUPPLIED PARTS AND ATTACHMENTS TO ASSURE PROPER PERFORMANCE AND SAFE OPERATION OF FINN CORPORATION EQUIPMENT. INSIST ON PARTS AND ATTACHMENTS MANUFACTURED OR SUPPLIED BY FINN CORPORATION WHEN YOU PURCHASE, REPAIR OR REPLACE YOUR FINN EQUIPMENT AND ATTACHMENTS.

BECAUSE FINN CORPORATION CANNOT ASSURE THAT PARTS AND ATTACHMENTS NOT MANUFACTURED OR SUPPLIED BY FINN MEET FINN CORPORATION'S QUALITY STANDARDS, SPECIFICATIONS, OR OPERATING REQUIREMENTS, OUR WARRANTY IS NOT EFFECTIVE TO THE EXTENT ANY FAILURE OF OR DEFECT IN A FINN CORPORATION PRODUCT ARISES FROM OR IS CAUSED BY PARTS, ATTACHMENTS OR COMPONENTS NOT ORIGINATING WITH FINN CORPORATION. USE OF FINN CORPORATION EQUIPMENT WITH PARTS AND ATTACHMENTS NOT MANUFACTURED OR SUPPLIED BY FINN COULD RESULT IN PERSONAL INJURY.

Effective December 8, 1995

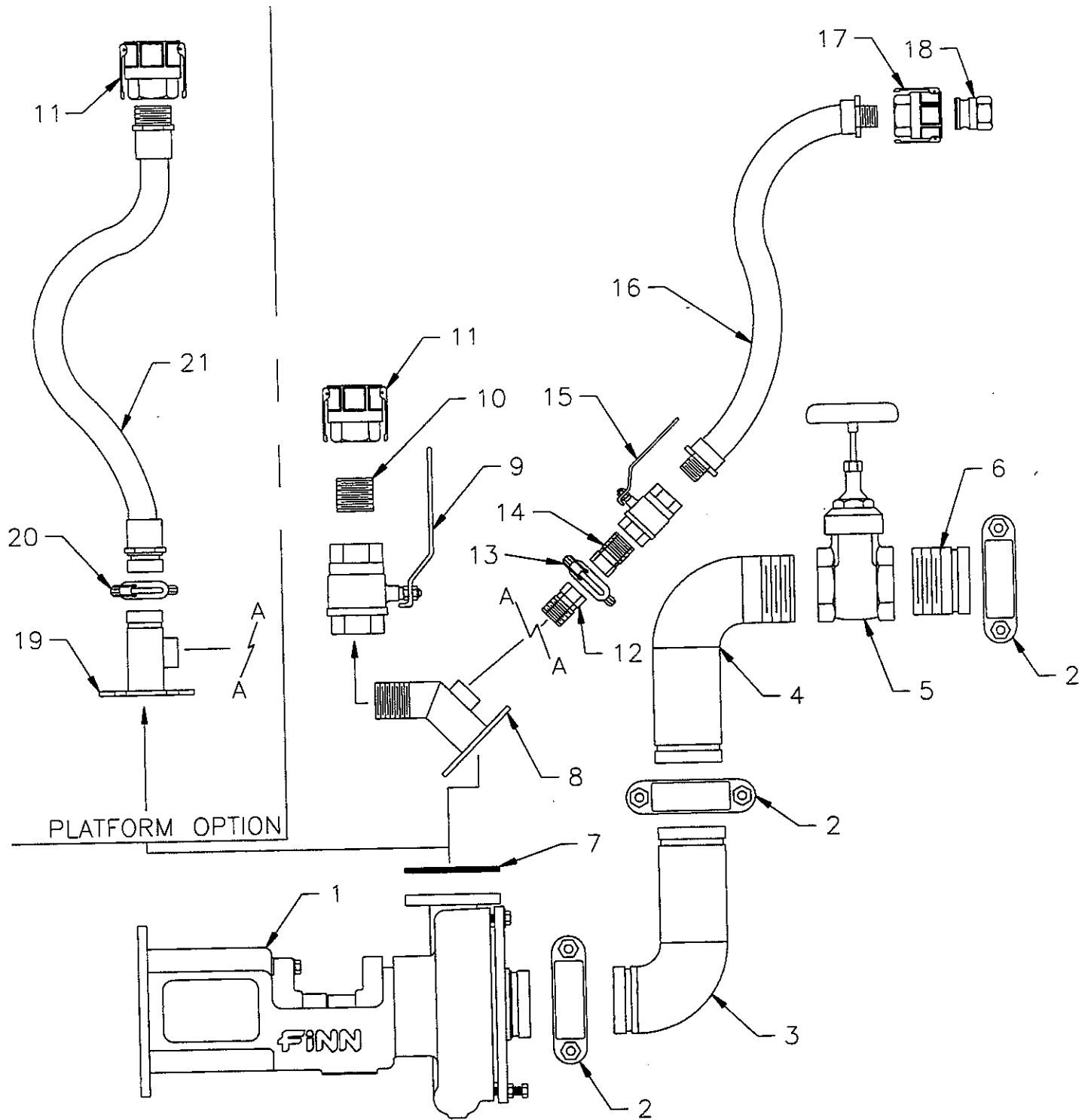
CALIFORNIA

Proposition 65 Warning

Diesel engine exhaust and some of its constituents are known to the State of California to cause cancer, birth defects, and other reproductive harm.

INDEX

Suction, Discharge, and Recirculation Piping	2-3
Clutch/Pump Parts	4-5
Hydraulic Schematic	6-7
Agitator Assembly	8-9
Hydraulic Agitator Drive	10
Hatch Assembly	11
T60 Series II Trailer Assembly	12-13
Loose Parts	14-15
Guard Rails	16
Boom Assembly	17
Control Panel Diagram	18
Trailer Wiring Diagram	19
Hydraulic Valve	20
Tool Kit/Seal Repair Kits	21
Decal Location	22-23

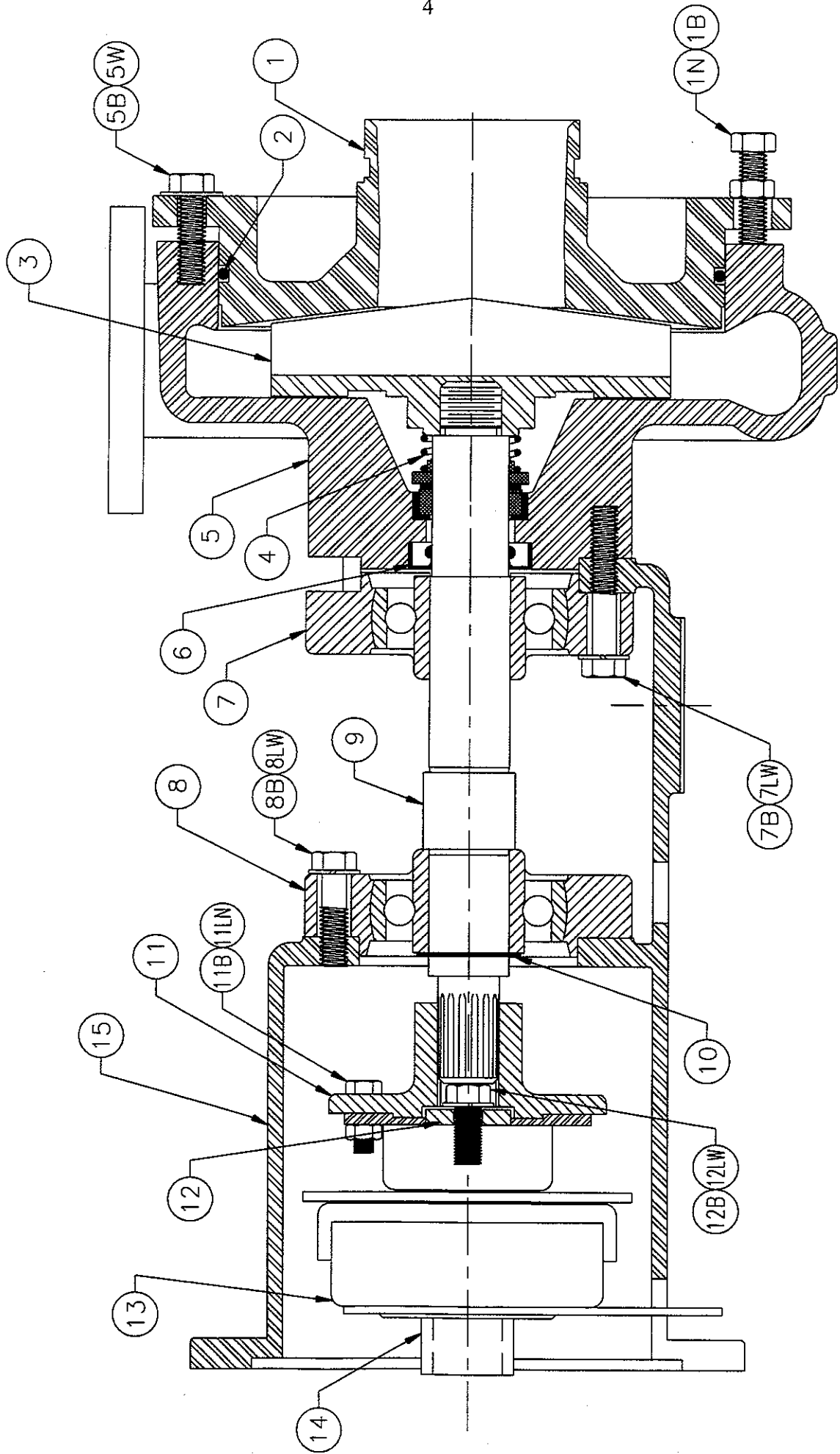


WHEN ORDERING PARTS, BE SURE TO STATE SERIAL NUMBER OF MACHINE

SUCTION, DISCHARGE, AND RECIRCULATION PIPING

Ref. No.	Part Number		Description	No. Req'd	
	Base	Platform		Base	Platform
1	080520	080520	Pump Assembly (See pages 4-5 for parts)	1	1
1A	002383	002383	Pressure Lubricator	1	1
1B	080516-01	080516-01	Pump Shaft Guard	1	1
2	080366	080366	Pipe Clamp	3	3
	002439	002439	Clamp Gasket	3	3
3	080556-01	080556-01	Suction Elbow Weldment - G.B.E.	1	1
4	080556-02	080556-02	Suction Elbow Weldment - G.O.E., T.O.E.	1	1
5	004737	004737	Suction Line Shut-Off Valve	1	1
6	080555-06	080555-06	Connector Pipe	1	1
7	008469	008469	Discharge Flange Gasket	1	1
8	080558-02	080558-02	Discharge Flange Pipe - Base Unit	1	0
9	007710	007710	Discharge Ball Valve	1	0
10	160309	160309	Close Nipple	1	0
11	080377	080377	Female Coupler	1	1
	006515	006515	Coupler Gasket	1	1
12	005083-07	005083-07	Recirculation Nozzle	1	1
13	005156	005156	Pipe Clamp	1	1
	005183	005183	Clamp Gasket	1	1
14	005083-08	005083-08	Recirculation Nozzle, Valve	1	1
15	021559	021559	Recirculation Ball Valve	1	1
16	080495	080495	Recirculation Hose	1	1
17	080094	080094	Female Coupler	1	1
	080235	080235	Coupler Gasket	1	1
18	080095	080095	Male Adapter	1	1
19	080558-01	080558-01	Discharge Flange Pipe - Platform Unit	0	1
20	006252	006252	Pipe Clamp	0	1
	006253	006253	Clamp Gasket	0	1
21	080494	080494	Discharge Hose	0	1

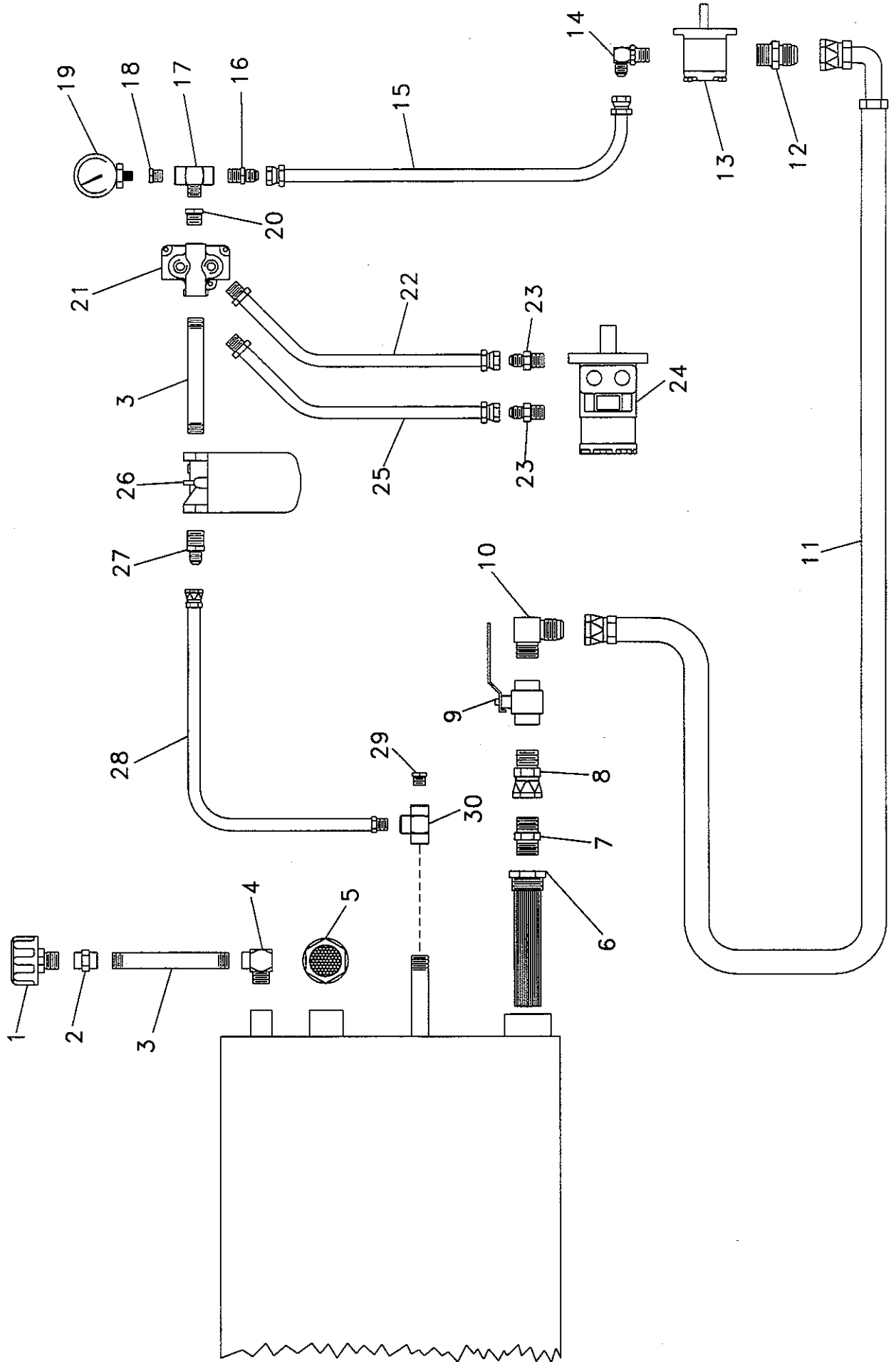
**WHEN ORDERING PARTS, BE SURE TO STATE
SERIAL NUMBER OF MACHINE**



PUMP ASSEMBLY

Ref. No.	Part Number	Description	No. Req'd
1	080489	Suction Cover	1
1B	X0720	Suction Cover Bolt	4
1N	Y07	Suction Cover Nut	4
2	080499	O-Ring	1
3	080498	Impeller	1
4	080485	Mechanical Seal	1
5	080487	Pump Casing	1
5B	X0720	Suction Cover Bolt	8
5W	W07	Suction Cover Washer	8
6	080493	Radial Lip Seal	1
7	080498	Casing Bearing	1
7B	X0740	Bearing Bolt	4
7LW	W07L	Bearing Lock Washer	4
8	080498	Frame Bearing	1
8B	X0728	Bearing Bolt	4
8LW	W07L	Bearing Lock Washer	4
9	080491	Pump Shaft	1
10	080497	Snap Ring	1
11	080490	Drive Hub	1
11B	X0516	Drive Hub Bolt	2
11LN	Y05L	Drive Hub Lock Nut	2
12	080590-07	Clutch Retainer	1
12B	XF0720	Retainer Bolt	1
12LW	W07L	Retainer Lock Washer	1
13	080484	Clutch	1
14	080509-08	Clutch Spacer	1
15	080486	Pump Frame	1

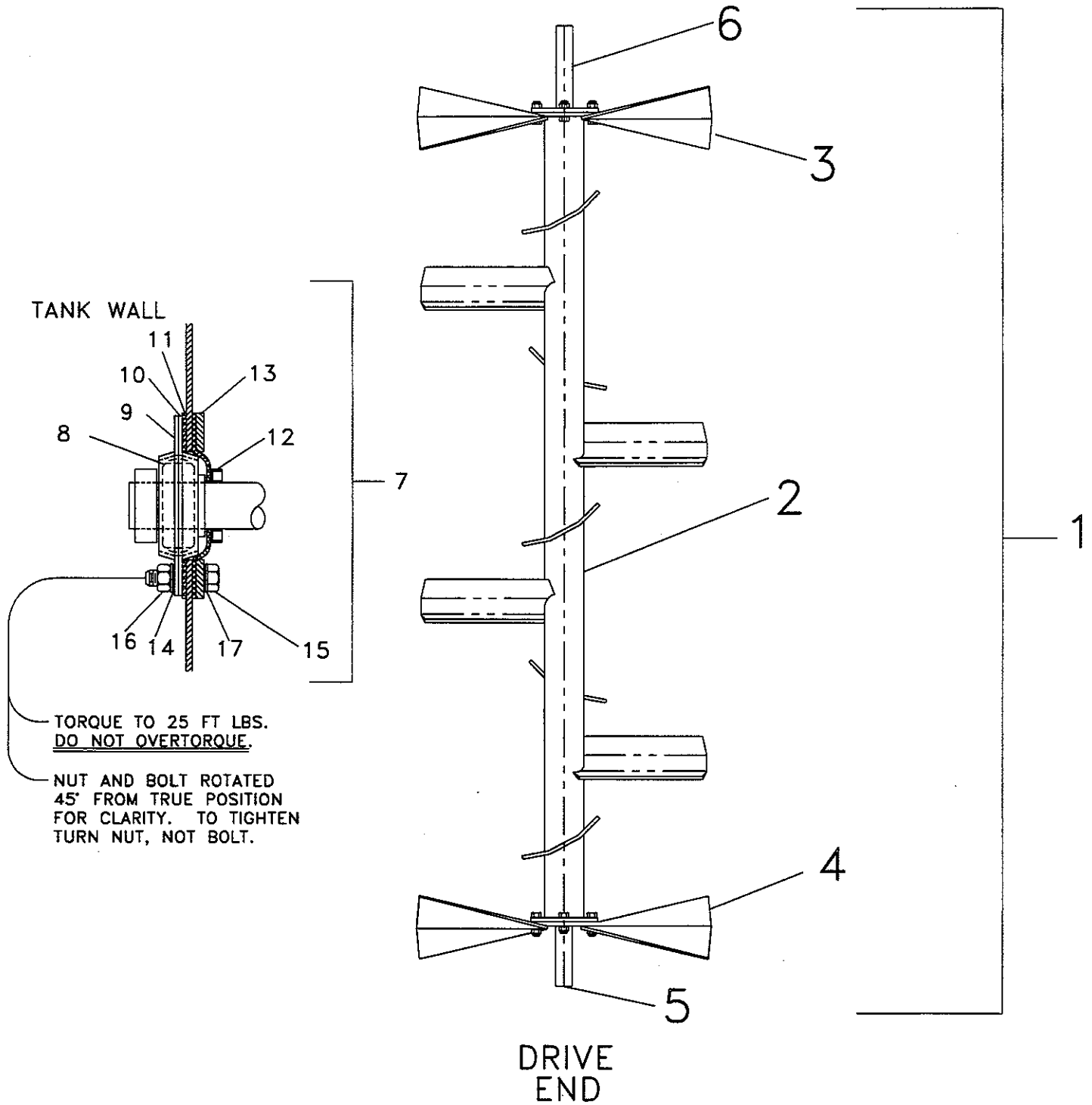
**WHEN ORDERING PARTS, BE SURE TO STATE
SERIAL NUMBER OF MACHINE**



HYDRAULIC SYSTEM

Ref. No.	Part Number	Description	No. Req'd
1	004900	Filler Breather Cap	1
2	080573	Hydraulic Coupling	1
3	080574	Hydraulic Nipple	2
4	FW71715	90° Adapter Elbow	1
5	080534	Sight Gauge	1
6	004618	Suction Strainer	1
7	023186	Straight Male Adapter	1
8	000668	Straight Adapter Union	1
9	020658	Ball Valve	1
10	FW71591	Male 90° Adapter Elbow	1
11	080576	Suction Hose	1
12	012087	Straight Male Adapter	1
13	080481	Hydraulic Pump	1
14	055309	Male 90° Adapter Elbow	1
15	080578	Pressure Hose	1
16	055238	Straight Male Adapter	1
17	040362	Female Run Tee	1
18	FW71499	Reducer Bushing	1
19	012044	Pressure Gauge	1
20	080268	Reducer Bushing	1
21	022850	Hydraulic Valve	1
	080591-02	Valve Handle	1
	023120	Seal Kit for Hydraulic Valve	1
22	080580	Hydraulic Motor Hose	1
23	085014	Male Straight Adapter	2
24	080482	Hydraulic Motor	1
25	080579	Hydraulic Motor Hose	1
26	021617	Hydraulic Oil Return Filter	1
	021618	Filter Element	1
27	023617	Straight Male Adapter	1
28	080577	Return Hose	1
29	080575	Hex Head Plug	1
30	023207	Hydraulic Tee	1

**WHEN ORDERING PARTS, BE SURE TO STATE
SERIAL NUMBER OF MACHINE**



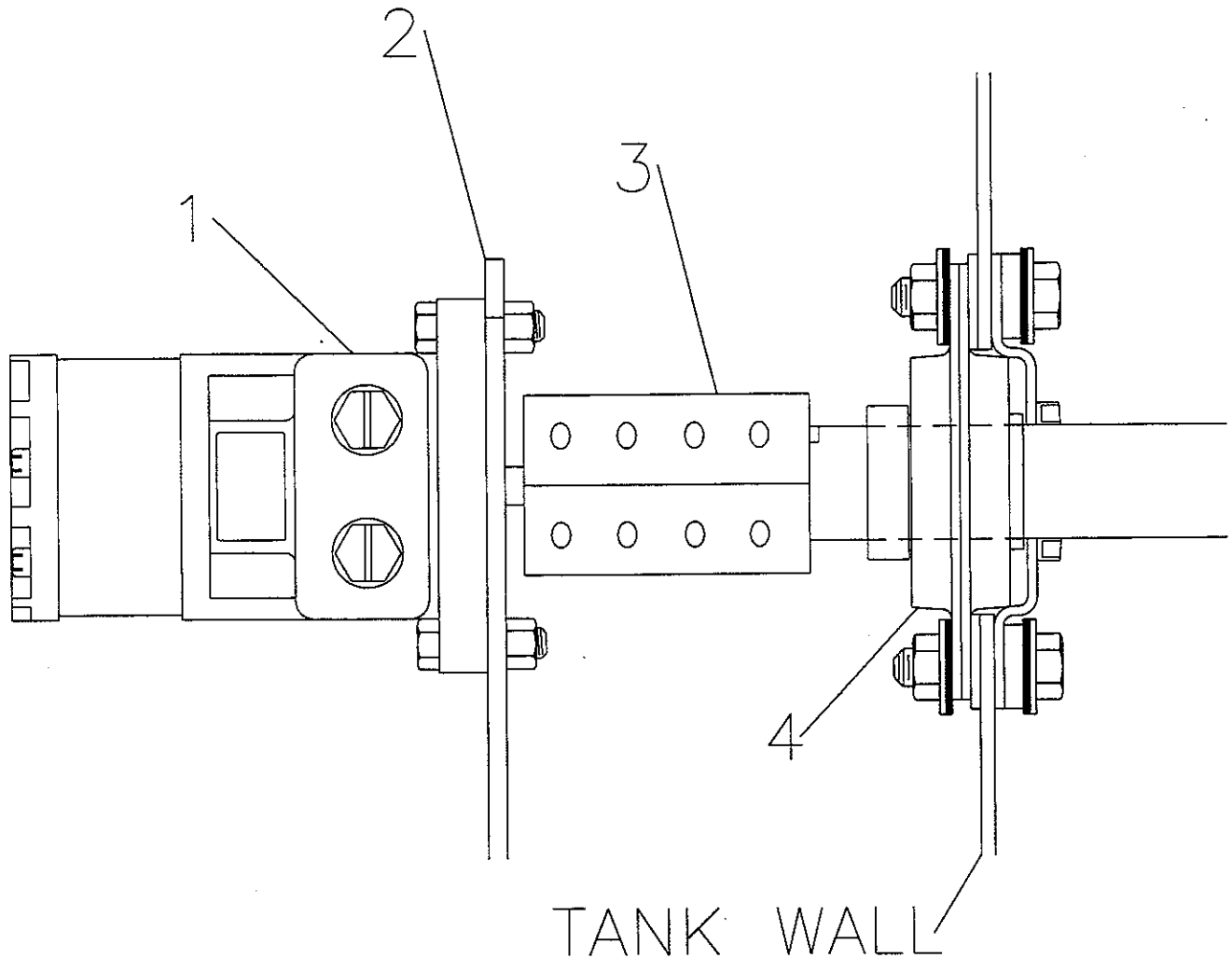
**WHEN ORDERING PARTS, BE SURE TO STATE
SERIAL NUMBER OF MACHINE**

AGITATOR ASSEMBLY

Ref. No.	Part Number	Description	No. Req'd
1	080352	T60 Agitator Shaft Assembly	1
2	080351	Main Agitator Section with Paddles	1
3	011725-01	Bolt-On Paddle, Front	2
4	011725-02	Bolt-On Paddle, Rear	2
5	005081-02	Agitator Stub Shaft, Drive	1
6	005081-03	Agitator Stub Shaft	1
7	005088	Bearing and Seal Assembly includes:	2
8	003022	Bearing	1 per
9	007211	Flangette with Lube Coupling	1 per
10	007212	Flangette	1 per
11	006975	Gasket	1 per
12	005207	Shaft Seal	1 per
13	007417	Clamping Ring	1 per
14	008008	Rubber Washer	8 per
*15	X0828SS	Agitator Seal Bolt	4 per
16	Y08SS	Agitator Seal Nut	4 per
17	W07FSS	Agitator Seal Washer	8 per

*NOTE: On T60 Series II the quantity of Part Number X0828SS is a total of 8 per unit, except for the T60 Series II Trailer unit, which replaces two of this part for Part Number X0840SS. The two replacement bolts are used on the lower two bolts on the front of the unit to hold the toe guard.

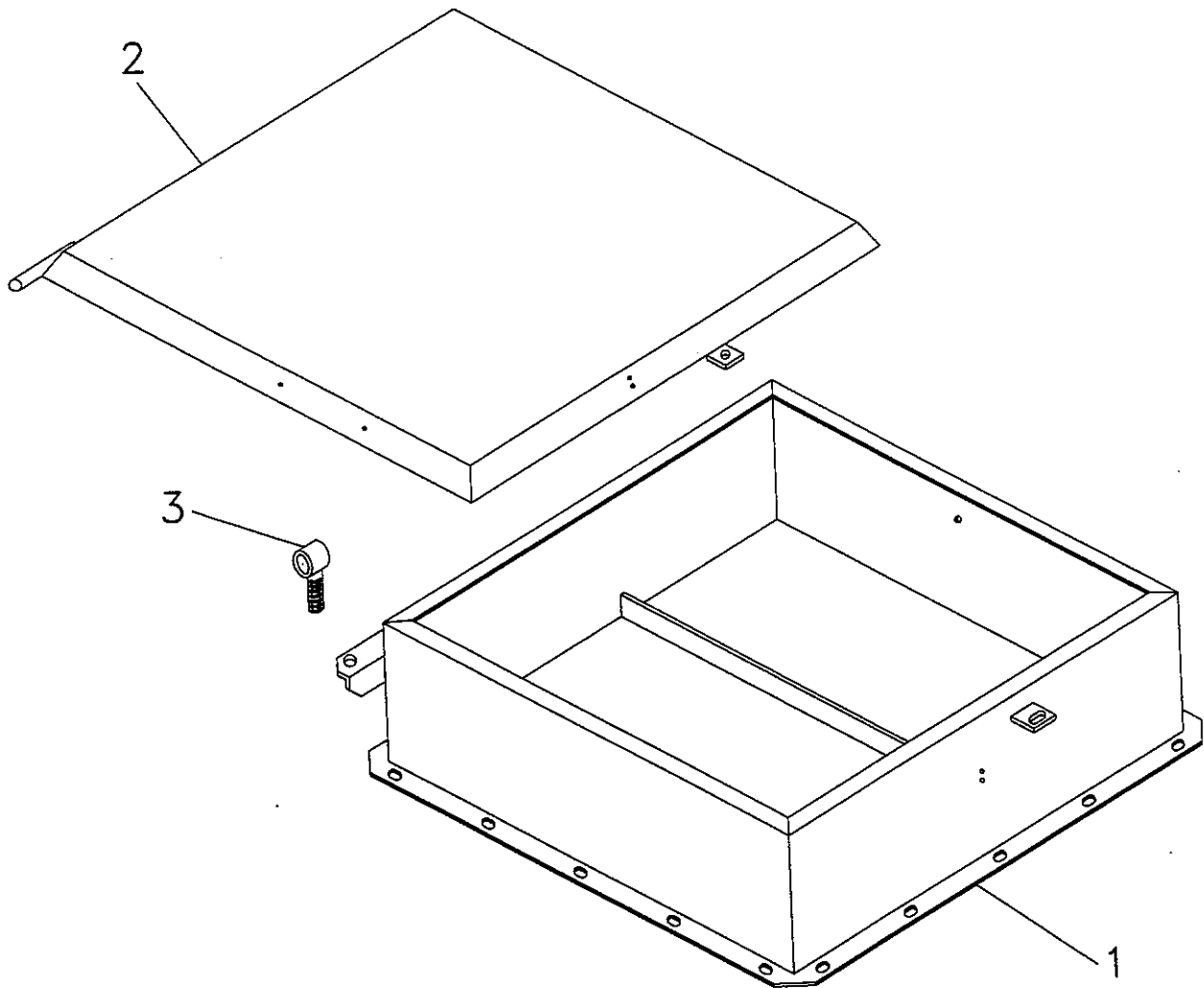
**WHEN ORDERING PARTS, BE SURE TO STATE
SERIAL NUMBER OF MACHINE**



HYDRAULIC AGITATOR DRIVE

Ref. No.	Part Number	Description	No. Req'd
1	080482	Hydraulic Motor	1
2	080507-01	Torque Arrestor Plate	1
3	080523	Rigid Coupling Assembly	1
4	005088	Bearing Assembly (See pages 8-9 for parts)	2
	080591-01	Agitator Coupling Guard	1
	080583	Rubber Torque Arrestor Pad	1
	080582	Worm Gear Clamp	2

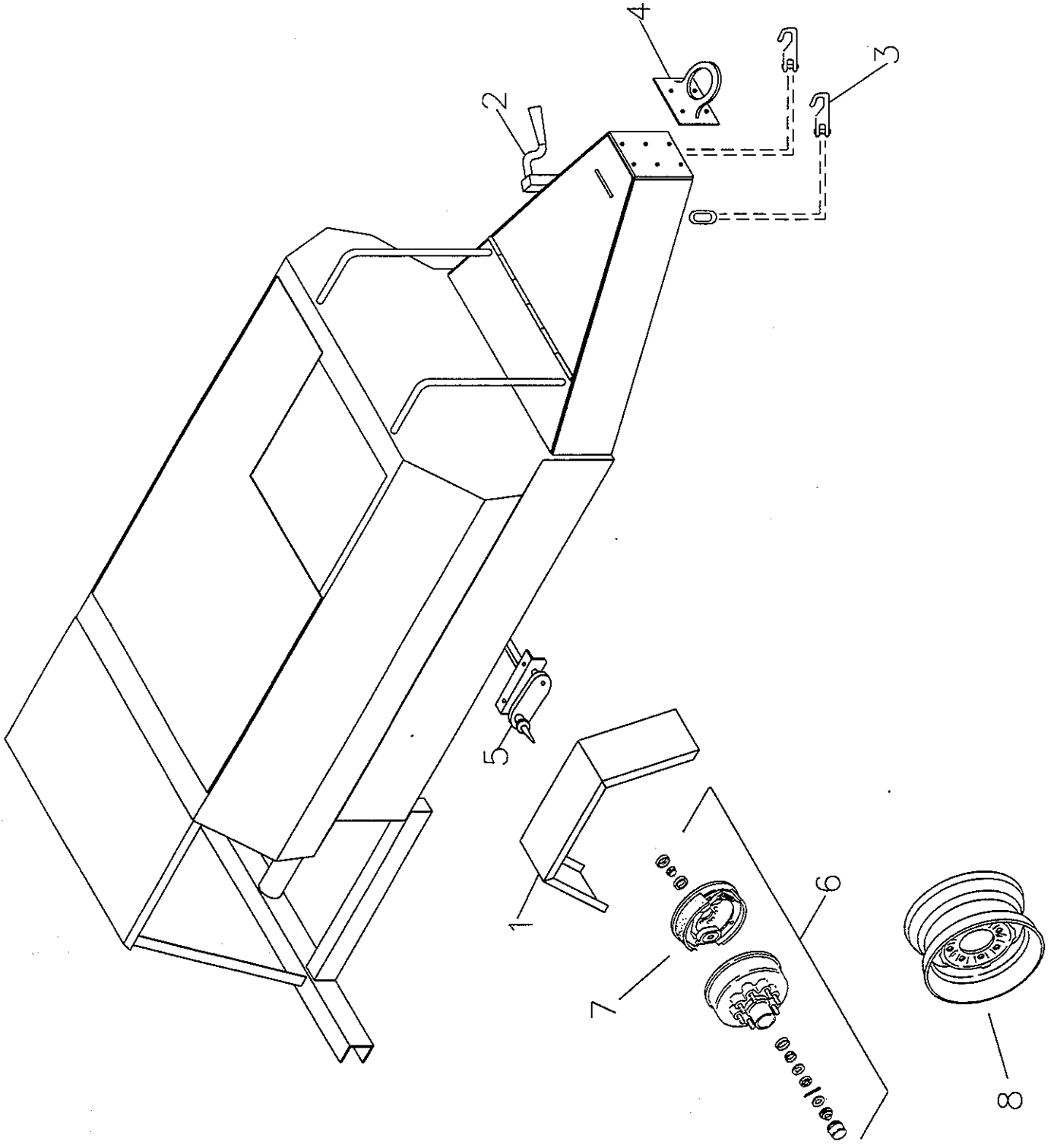
**WHEN ORDERING PARTS, BE SURE TO STATE
SERIAL NUMBER OF MACHINE**



HATCH ASSEMBLY

Ref. No.	Part Number	Description	No. Req'd
1	080564	Hatch Liner	1
2	080565	Hatch Lid	1
3	080565-02	Hatch Lid Hinge	2
	005433	Soft Latch	1
	002909	Handle	1
	005565	Hatch Lid Lanyard	1

**WHEN ORDERING PARTS, BE SURE TO STATE
SERIAL NUMBER OF MACHINE**

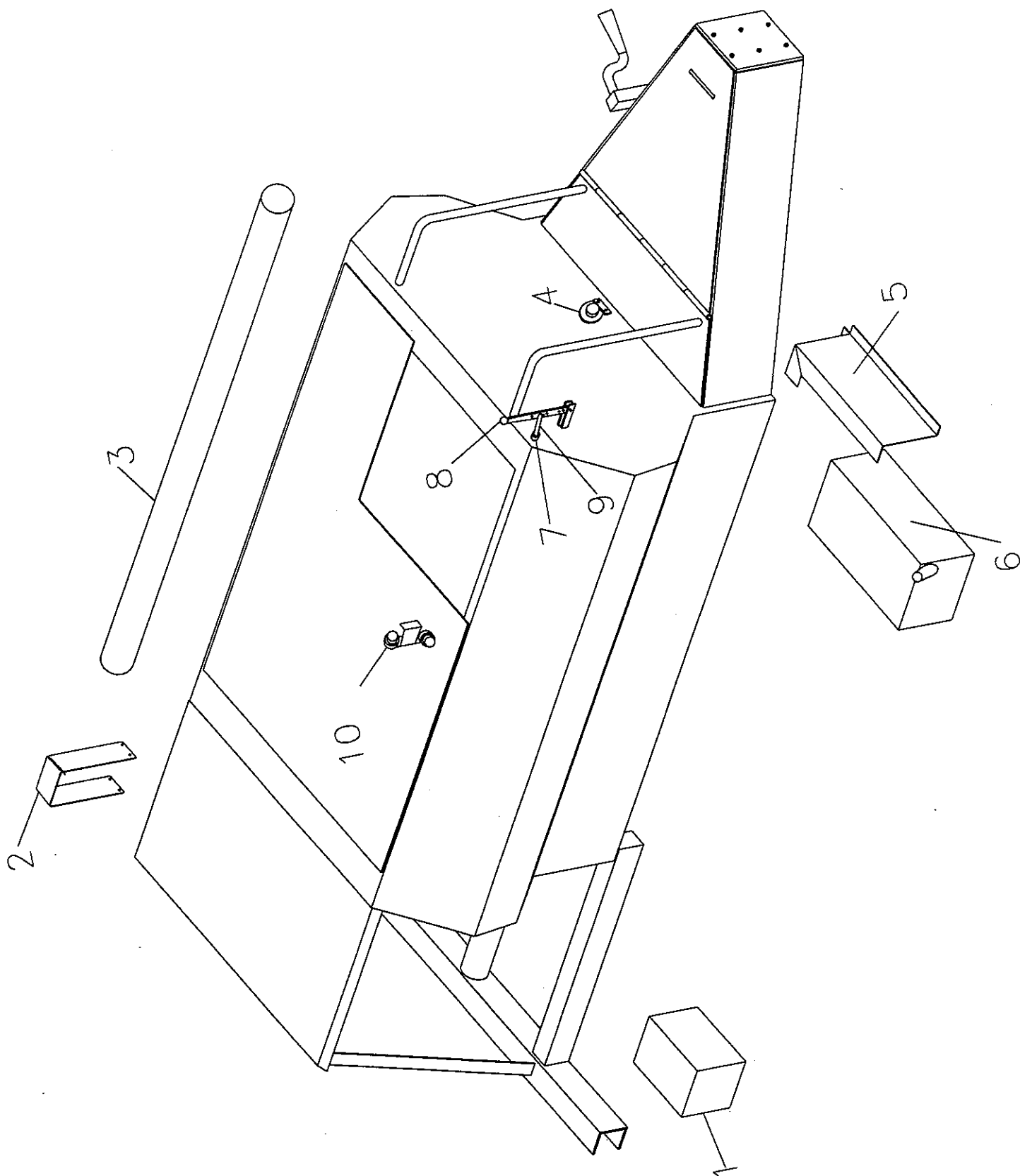


WHEN ORDERING PARTS, BE SURE TO STATE SERIAL NUMBER OF MACHINE

TRAILER ASSEMBLY PARTS

Ref. No.	Part Number	Description	No. Req'd
1	080519	Fender	2
2	005438	7000# Trailer Jack	1
3	190033	Safety Chain (3' lengths)	2
	023485	Grab Hook	2
	080591-03	Safety Chain Rod	1
4	080043	Tow Ring	1
	005134	Ball Coupler	1
	005135	Ball	1
5	080328	Axle with Spindle, Hub Drum, Brakes	1
6	100232	Hub and Drum Assembly	1
	WL10-1	Grease Seal	1 per
	WL25580	Inner Bearing	1 per
	WL25520	Inner Cup	1 per
	WL14276	Outer Cup	1 per
	WL14125A	Outer Bearing	1 per
	WL605	Grease Cap	1 per
	WL6-80	Wheel Nut	8 per
	WL7-122	Stud	8 per
	WL15-57	Washer	1 per
	WL6-1	Nut	1 per
7	WL23-180	Left Brake Assembly	1
	WL23-181	Right Brake Assembly	1
8	005057	Wheel	2
	005060	Tire (Not Shown)	2
	004644	Valve Stem	2

**WHEN ORDERING PARTS, BE SURE TO STATE
SERIAL NUMBER OF MACHINE**

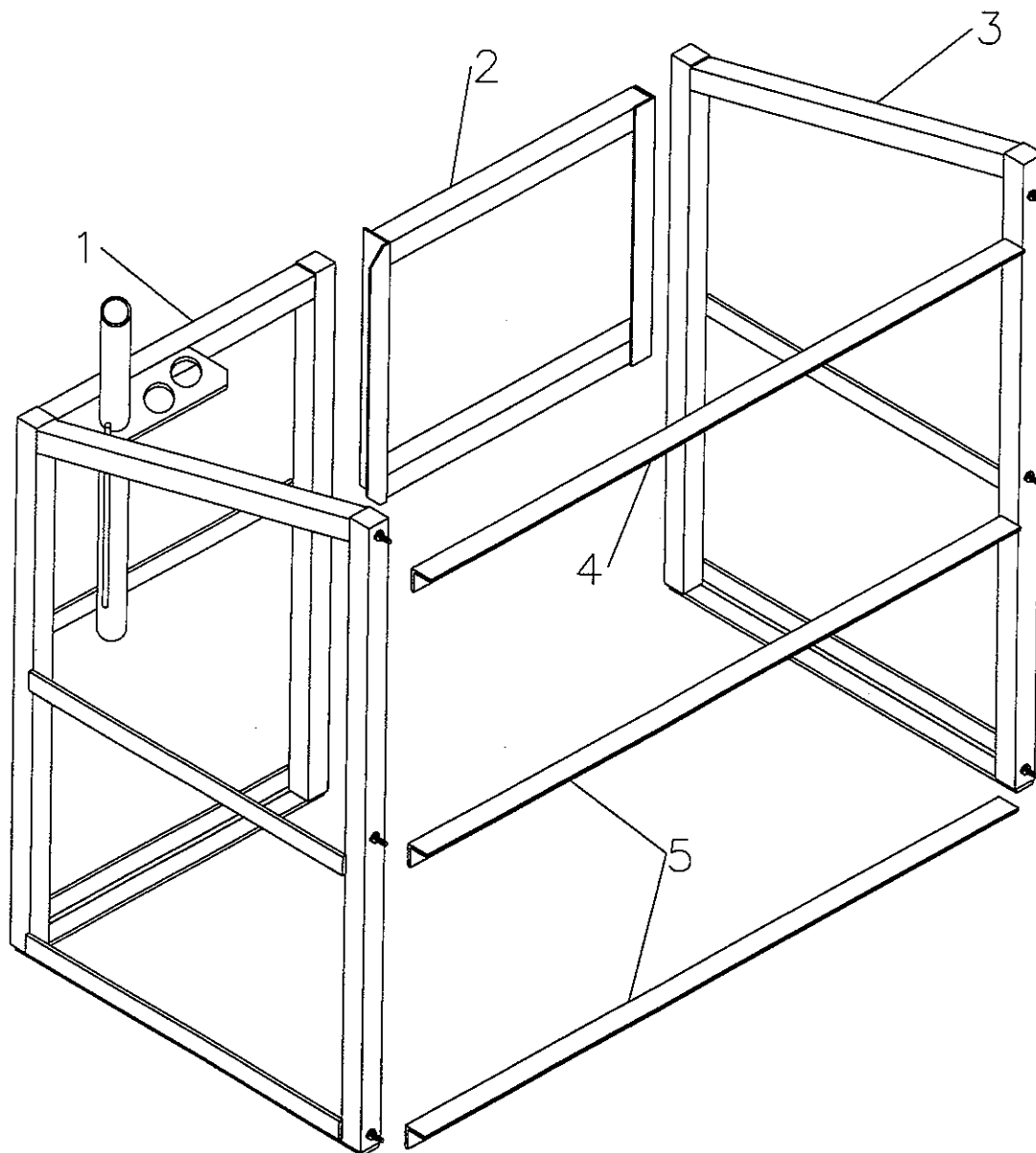


**WHEN ORDERING PARTS, BE SURE TO STATE
SERIAL NUMBER OF MACHINE**

COMMON LOOSE PARTS

Ref. No.	Part Number	Description	No. Req'd
1	080524	Battery	1
	080223	Battery Case	1
	005559-03	Battery Holddown Strap	1
	000241	Ground Strap	1
	008171	Positive Battery Cable	1
2	080516-03	Coupling Guard	1
3	080572	Hydraulic Reservoir	1
	080571-04	Hydraulic Reservoir Strap	2
4	005399	Toe Guard	1
5	080513-01	Fuel Tank Guard	1
6	080570-01	Fuel Tank	1
	080527	Fuel Gauge	1
7	080218	Agitator Control Rod Conduit	1
	005178	O-Ring	1
8	008475	Handle	1
9	080589-02	Agitator Control Rod	1
	022801	Clevis	1
10	080587	Fill Port Assembly	1
	080586-01	Swivel Tube	1
	080586-02	Spring Lever	1
	080586-03	Thumb Tab	1
	080585-08	Locking Pin	1
	080584	Spring	1
	080566	Throttle Cable	1
	080567	Choke Cable	1
	080483	Engine	
	KL2406818	Muffler (Trailer Unit)	
KL2406817	Muffler (Skid Unit)		
KL2404149	Exhaust Gasket		
KL1205001	Oil Filter		
KL2488303-S1	Air Filter		
KL2505002	In Line Fuel Filter		

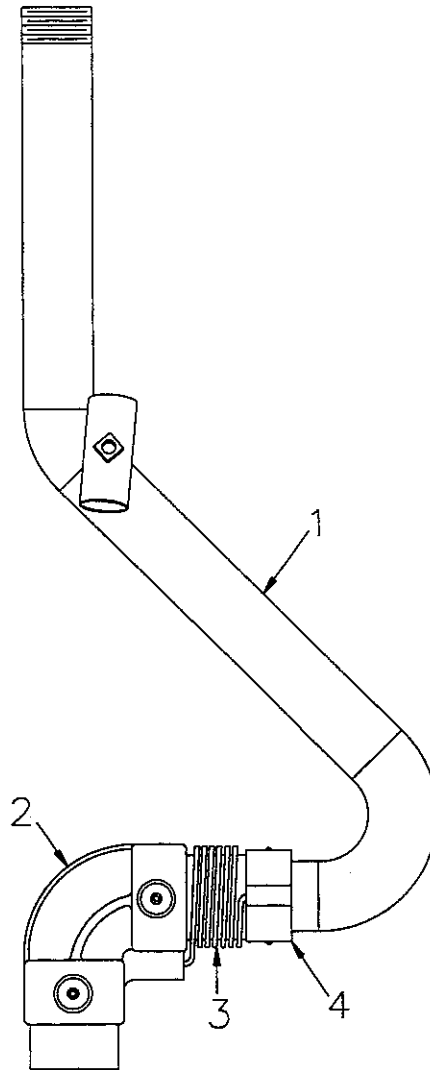
**WHEN ORDERING PARTS, BE SURE TO STATE
SERIAL NUMBER OF MACHINE**



GUARD RAILS

Ref. No.	Part Number	Description	No. Req'd
1	080538	Right Guard Rail	1
2	080539-01	Gate	1
	080521	Gate Spring Hinge	1
3	080537	Left Guard Rail	1
4	080536-18	Top Cross Rail	1
5	080536-13	Cross Rail	2
	080543	Ladder	1
	005613	Square Tubing Plug	5
	007913	Rubber Strap	1

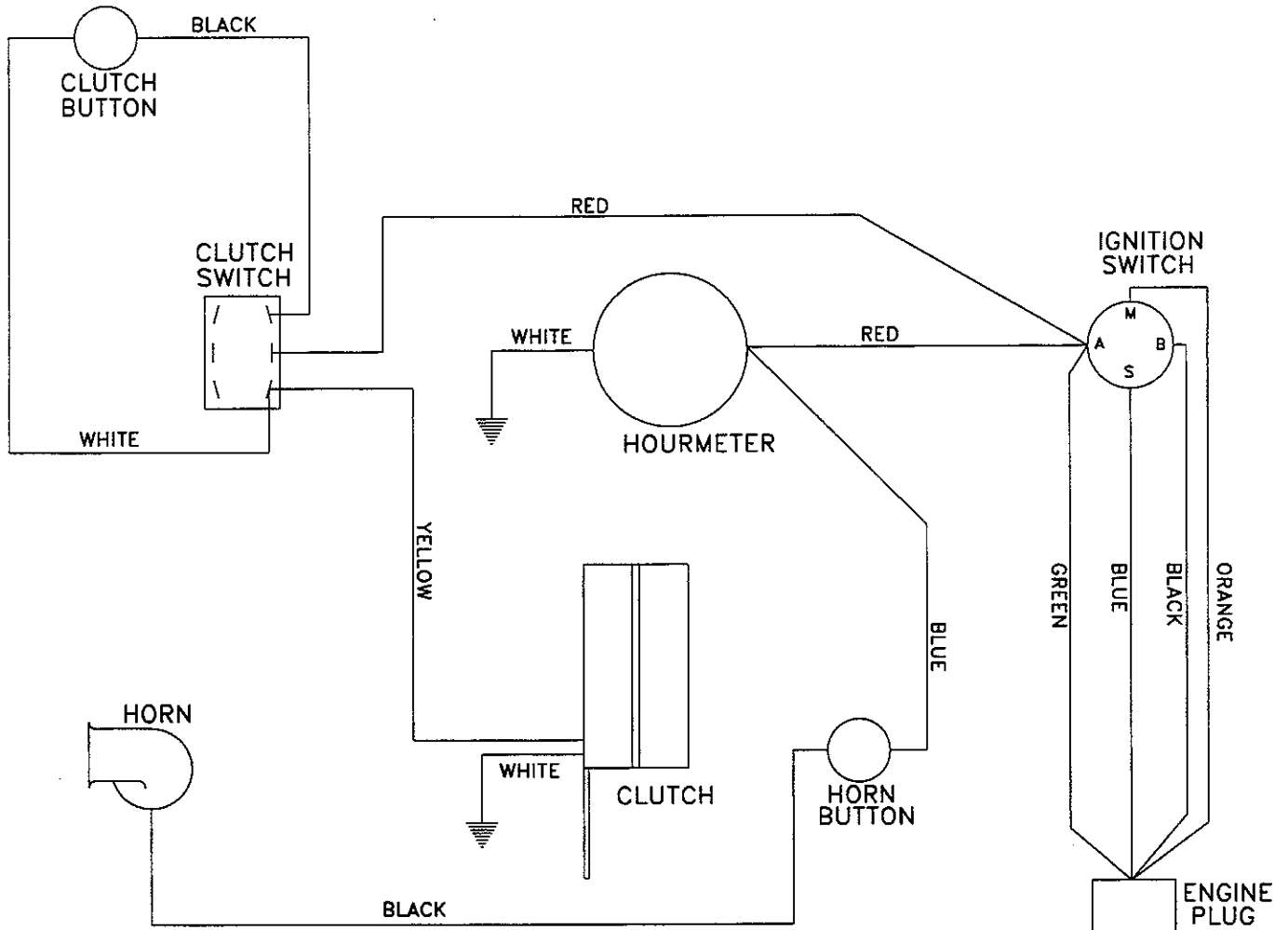
**WHEN ORDERING PARTS, BE SURE TO STATE
SERIAL NUMBER OF MACHINE**



DISCHARGE BOOM

Ref. No.	Part Number	Description	No. Req'd
	080561	Discharge Boom Assembly Consisting of:	
1	080560-01	Boom Weldment	1
2	003207	1-1/2" Swivel Joint	1
3	003299	Discharge Balance Spring	1
4	080560-02	Adjusting Collar	1
	080559-01	Boom Handle	1
	080377	1-1/2" Part D Coupler	1
	006515	Gasket	1
	003355	Swivel Repair Kit	1

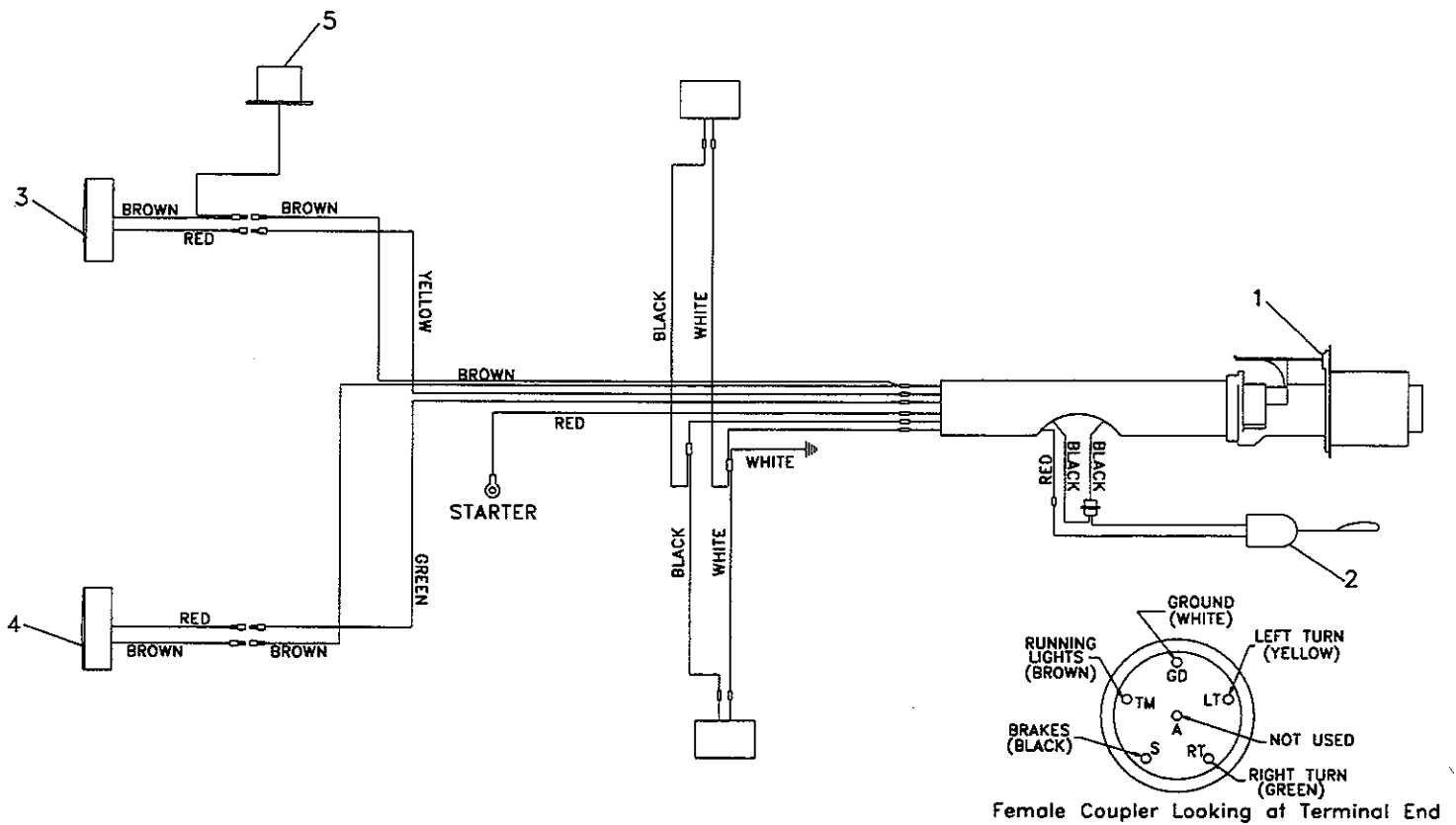
**WHEN ORDERING PARTS, BE SURE TO STATE
SERIAL NUMBER OF MACHINE**



CONTROL PANEL WIRING

Part Number	Description	No. Req'd
007274	Hour Meter	1
080654	Ignition Switch	1
020886	Horn Button	1
006499	Horn	1
020886	Clutch Button	1
080525	Clutch Toggle Switch	1
080526	Clutch Toggle Switch Dust Boot	1
080484	Electric Clutch	1
080654-K	Key for ignition switch	

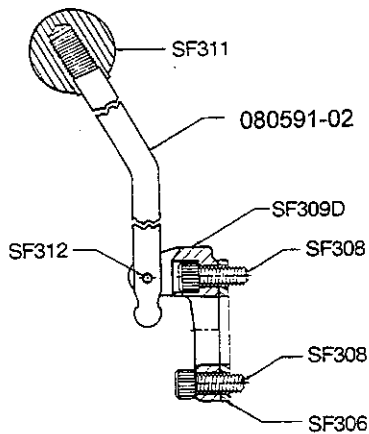
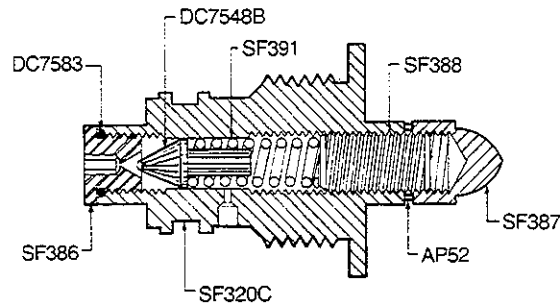
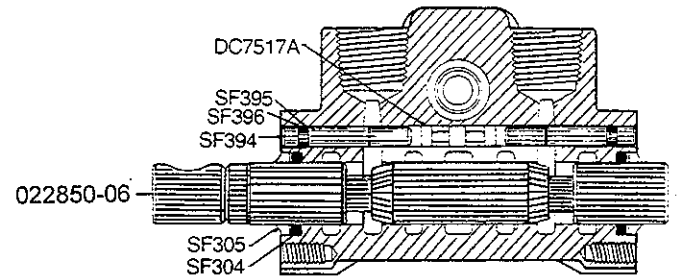
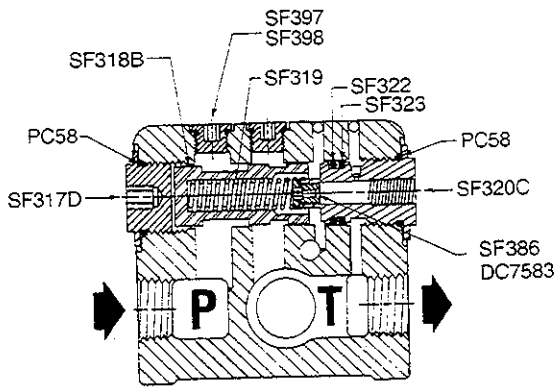
**WHEN ORDERING PARTS, BE SURE TO STATE
SERIAL NUMBER OF MACHINE**



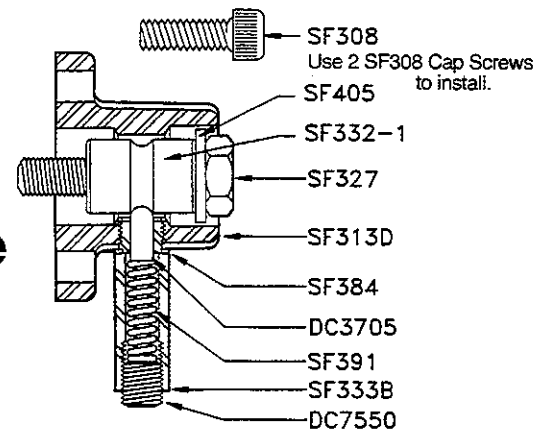
TRAILER WIRING

Ref. No.	Part Number	Description	No. Req'd
1	060069	Trailer Plug	1
2	023424	Breakaway Switch	1
	030934-01	Chain	1
	005016	"S" Hook	2
	005017	Snap	1
3	005137	Taillight- Left Hand Side	1
4	005138	Taillight-Right Hand Side	1
5	005436	License Light	1
	004720	License Light Bracket	1
	080609	Trailer Wiring Harness	1

**WHEN ORDERING PARTS, BE SURE TO STATE
SERIAL NUMBER OF MACHINE**



BRAND Flow Control Valve SCDF Series



All parts marked with a "●" make up Seal Kit, Part Number 023120

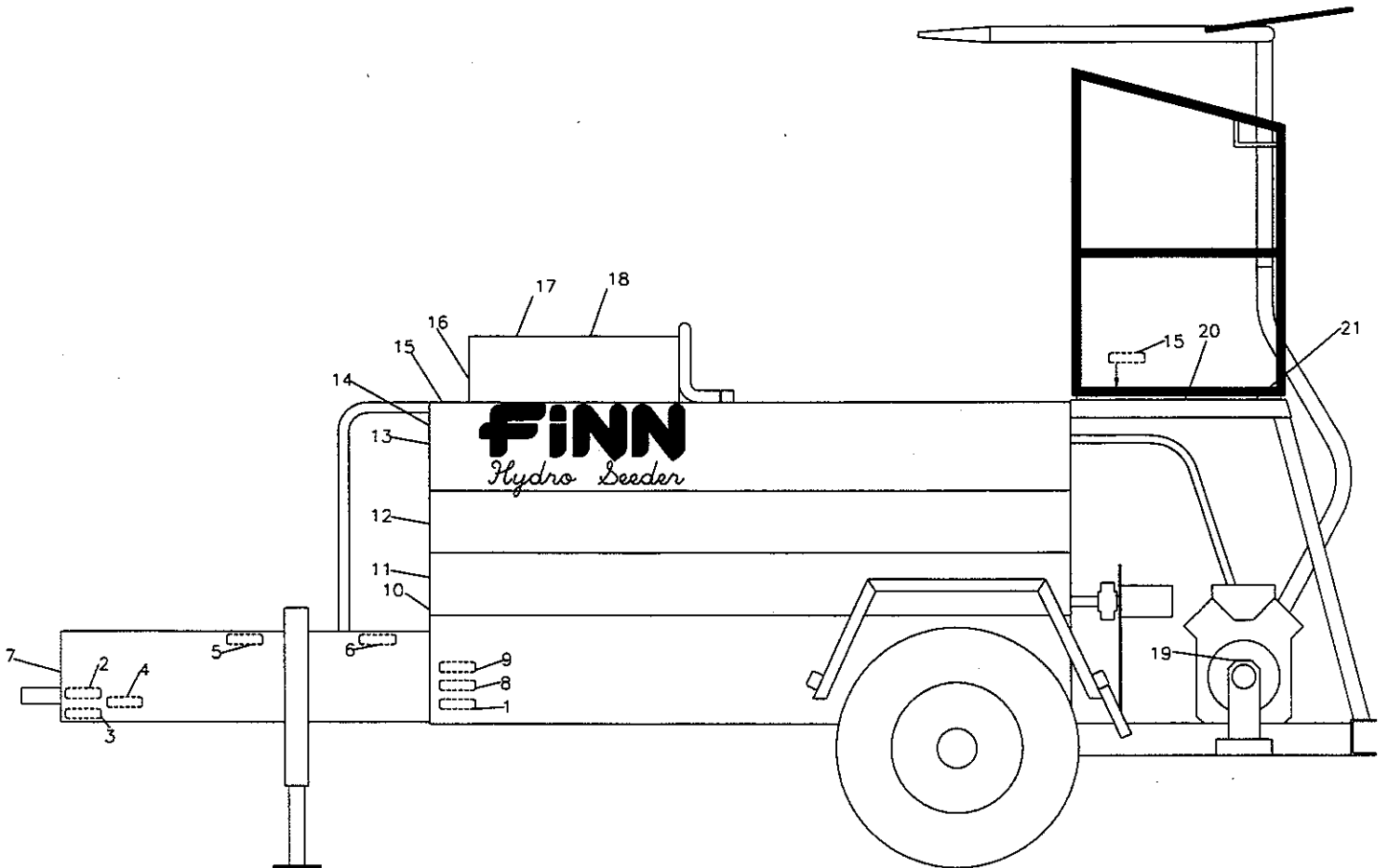
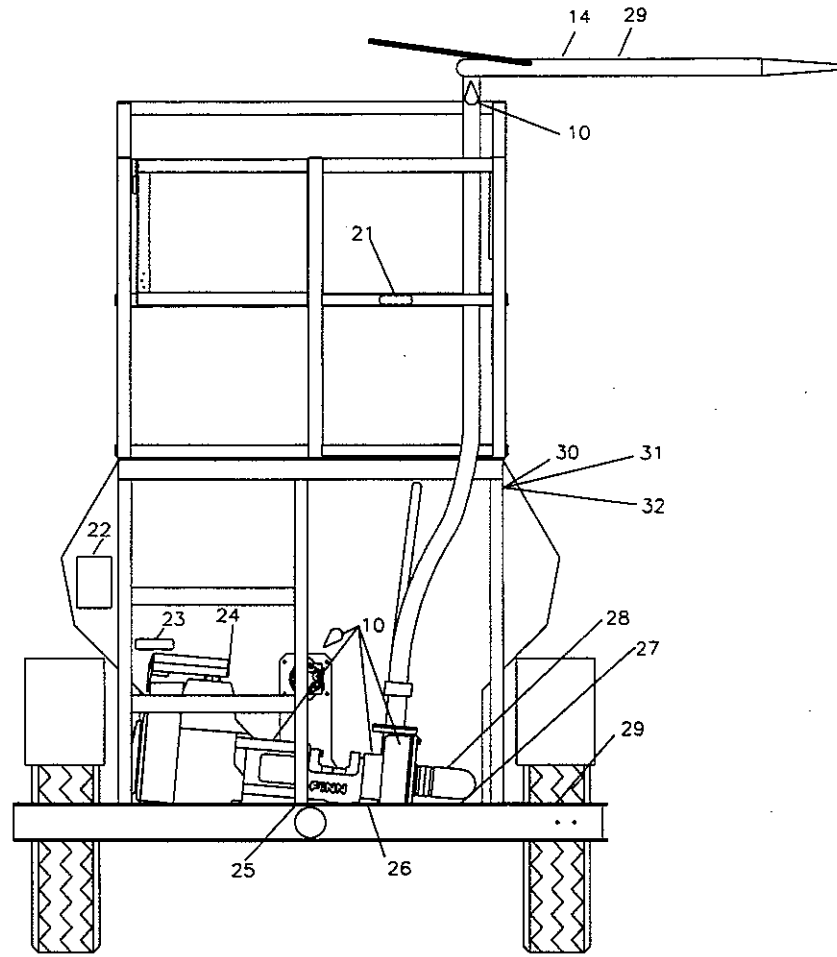
AP52	Washer	SF312	Roll Pin	SF333B	Detent Housing
DC3705	Detent Plunger	SF313-D	1/8" x 1-3/8"	SF384	Washer
DC7517A	Shuttle Spool	SF317D	Detent End Cap	SF386	Seat
DC7548B	Poppet	SF3181B	Plug	SF387	Acorn Nut
DC7550	Set Screw	SF319	Metering Spool	SF388	Set Screw
●DC7583	O-Ring	SF320C	Metering Spring	SF391	Spring
●PC58	O-Ring	●SF322	Cartridge	SF394	Shuttle Stop
●SF304	Seal	●SF323	O-Ring	●SF395	O-Ring
SF305	Wiper	SF327	Back Up	●SF396	Back Up
SF306	Seal Retainer	SF327	Cap Screw	SF397	Plug
SF308	Cap Screw	SF332-1	5/16-18 x 1-1/2"	●SF398	O-Ring
SF309D	1/4-20 x 3/4"		Friction	SF405	Washer
SF311	Handle Bracket		Positioning	022850-06	Spool
	Knob		Sleeve	080591-02	Handle

TOOL KIT

Part Number	Description	No. Req'd
000698	Automatic Pressure Lubricator Grease, 1# Tub	1
005220	Impeller Wrench	1
080273	Long Distance Nozzle Assembly	1
080131	Long Distance Nozzle	1
080260	Nyglass Adapter	1
160749	Reducer Bushing	1
080394	Wide Ribbon Nozzle Assembly	1
006604	Wide Ribbon Nozzle	1
080260	Nyglass Adapter	1
160750	Reducer Bushing	1
080395	Narrow Ribbon Nozzle Assembly	1
006605	Narrow Ribbon Nozzle	1
080260	Nyglass Adapter	1
160750	Reducer Bushing	1
080626	Drain Plug	1
006515	Coupler Gasket	1
012681A	Finn Beige Spray Paint	1
080535	Remote Valve Assembly	1
012083	Full Port Ball Valve	1
080260	Nyglass Adapter	1
080261	Nyglass Coupler	1
160307	Close Nipple	1
	Engine Parts Manual	1
	HydroSeeder® Operator's Manual	1
	HydroSeeder® Parts Manual	1

SEAL REPAIR KITS

Part Number	Description	No. Req'd
023120	Seal Kit for Hydraulic Valve #022850	
080615	Seal Kit for Hydraulic Motor #080482	
080616	Seal Kit for Hydraulic Pump #080481	



DECALS

Ref. No.	Part Number	Description	No. Req'd
1	011690	FINN Name Plate	1
1A	023174	"FINN" Decal	2
1B	011595	"HydroSeeder" Decal	2
2	031227	Decal "ALWAYS INSPECT HITCH"	1
3	031228	Decal "SAFETY CHAIN"	1
4	023423	Decal "BREAKAWAY SWITCH"	1
5	080107	Decal "ALWAYS USE STEP"	1
6	031331	Decal "GASOLINE"	1
7	005022	Decal "USE 2-5/16" BALL ONLY"	1
8	020976	Decal "PATENT INFRINGEMENT"	1
9	011662	Decal "PATENT NUMBERS"	1
10	007230	Decal "SERVICE DAILY"	6
11	005184	Decal "250 GALLONS"	1
12	005185	Decal "400 GALLONS"	1
13	005186	Decal "500 GALLONS"	1
14	023519	Decal "CAUTION! WEAR EYE PROTECTION"	1
15	008286	Decal "AGITATOR SPEED"	2
16	020970	Decal "CAUTION! DO NOT RIDE"	1
17	012041	Decal "HYDROSEEDER OPERATION"	1
18	008097	Decal "DANGER! DO NOT ENTER TANK"	1
19	012179	Decal "WARNING! DO NOT RUN WITHOUT GUARDS"	1
20	006870-HORN	Decal "HORN"	1
21	007535	Decal "THROTTLE"	1
22	021665	Decal "HYDRAULIC INSTRUCTIONS"	1
23	012272	Decal "HYDRAULIC FLUID ONLY"	1
24	012278	Decal "DANGER! HOT EXHAUST"	1
25	012260	Maintain Safety Decal Plate	1
26	006869	Decal "PRESSURE LUBRICATOR"	1
27	022357	Decal "WARNING! TURN OFF ENGINE"	1
28	012180	Decal "TO AVOID DAMAGE TO SUCTION COVER"	1
29	011567	Decal "DANGER! DO NOT AIM STREAM"	1
30	080540	Decal "CLUTCH OPERATION"	1
31	KL2411303	Decal "IGNITION SWITCH"	1
32	KL2511317	Decal "STOPPING INSTRUCTIONS"	1

Must order:
080699 Safety Decal Kit

**WHEN ORDERING PARTS, BE SURE TO STATE
SERIAL NUMBER OF MACHINE**

