

FINN **CORPORATION**

9281 LeSaint Drive • Fairfield, Ohio 45014
Phone (513) 874-2818 • Fax (513) 874-2914
Sales: 1-800-543-7166



LF120 Landfill Machine **Parts Manual** **ADDENDUM**

IMPORTANT!

This manual should be used in conjunction with the standard Operation and Parts Manual.

The information provided in this document only covers the parts/components not covered in the standard manual.

SAFETY FIRST

With any piece of equipment, new or used, the most important part of its operation is **SAFETY!**

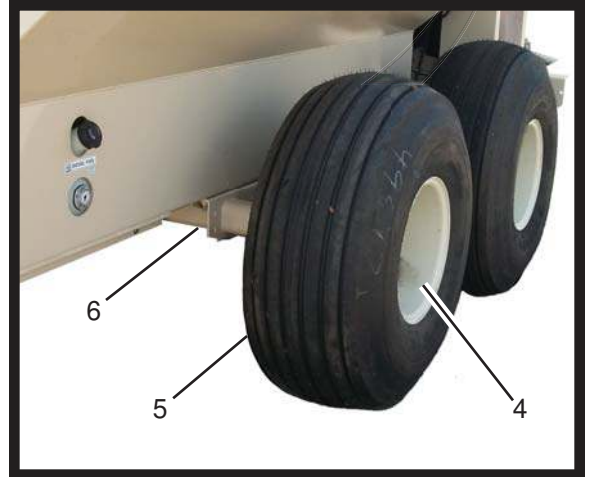
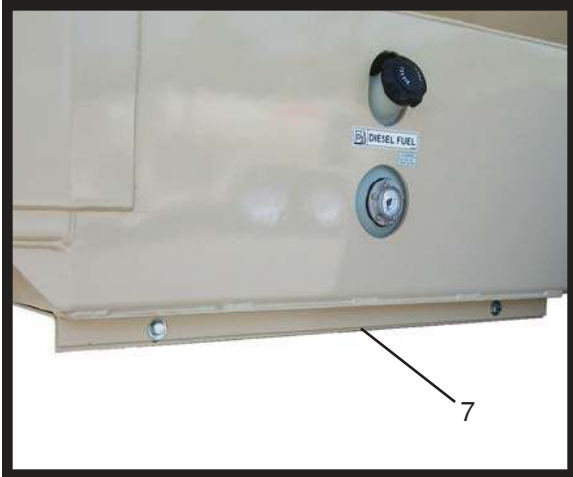
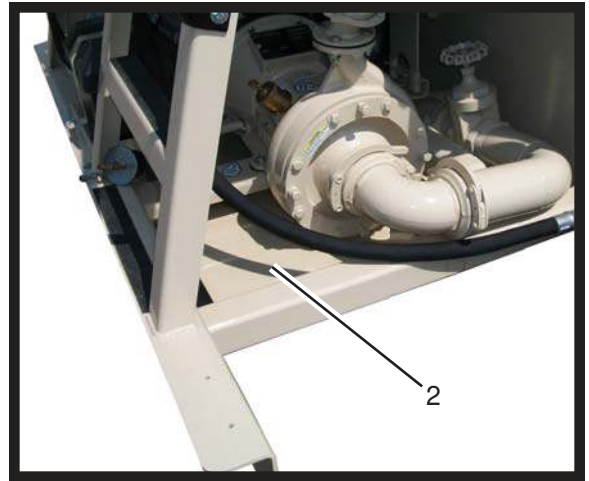
FINN Corporation encourages you and your employees to familiarize yourselves with your new equipment and stresses safe operation.

The first section of the standard Operation and Parts Manual includes a summary of all the main safety aspects associated with this unit. Read this section thoroughly before attempting to operate the equipment.

OPERATION

The operation and maintenance section presented in the standard parts and operator's manual provides step-by-step instructions for the operation and maintenance of the unit.

Follow this section carefully to get the best results and to ensure a long life for your Finn product.



WHEN ORDERING PARTS, BE SURE TO STATE SERIAL NUMBER OF MACHINE

LF120 LANDFILL MACHINE

Ref. No.	Part Number	Description	No. Req'd
1	005806	20 in. Long Hitch Extension	1
2	041380-00	Engine Protection Plate	1
	041381-01	Engine Protection Access Panel	1
3	041359	LF120 Decal	2
4	041361	Ag. Wheel	4
5	041362	Hi Floatation Tire	4
6	041376	Axle With Idle Ag. Hubs - 22.5° Down	2
7	SE0149-01	Fuel Tank Guard	1
8	41358	Finn Landfill Solutions Decal	2

**WHEN ORDERING PARTS, BE SURE TO STATE
SERIAL NUMBER OF MACHINE**