

# **FINN** **CORPORATION**

9281 LeSaint Drive • Fairfield, Ohio 45014  
Phone (513) 874-2818 • Fax (513) 874-2914

**Sales:1-800-543-7166**



Activate  
Your Warranty  
By Registering  
TODAY!!!



## **B-40 Straw Blower** **Parts and Operator's Manual**

Model **MD**      Serial No. \_\_\_\_\_





## ACTIVATE YOUR FINN EQUIPMENT WARRANTY

### IMPORTANT INFORMATION ON ACTIVATING YOUR FINN EQUIPMENT WARRANTY!!!

IT IS IMPERATIVE THAT YOU, THE PURCHASER, COMPLETE THE FOLLOWING STEP IN ORDER TO ACTIVATE THE FINN CORPORATION LIMITED WARRANTY.



COMPLETE THE EQUIPMENT REGISTRATION FORM  
AND MAIL TO THE FINN CORPORATION.

IF FINN CORPORATION DOES NOT HAVE YOUR COMPLETED REGISTRATION  
FORM ON FILE, YOUR WARRANTY CLAIM WILL BE DENIED.

Once your FINN equipment has been registered, your FINN Limited Warranty will  
be activated per the warranty statement on the next page.

### <<What should you do if you need repairs or parts under Warranty?>>



**1.** NOTIFY FINN CORPORATION OF THE FAILURE OF MATERIAL OR WORKMANSHIP  
**1-800-543-7166 Extension (246)**  
**WARRANTY@FINNCORP.COM**



**2.** AFTER YOU OR YOUR SERVICE DEALER NOTIFY FINN, FINN WILL:



VERIFY THAT WE HAVE YOUR REGISTRATION ON FILE



VERIFY THAT THE WARRANTY PERIOD IS IN EFFECT



VERIFY THAT THE RELATED PART(S) ARE INCLUDED IN THE SCOPE OF  
WARRANTY (PENDING FINN'S INSPECTION OF DEFECTIVE PARTS)



SEND YOU REPLACEMENT PART(S) AND A WARRANTY INFORMATION PACKET



REQUEST YOU FOLLOW ALL INSTRUCTIONS AS NOTED IN THE PACKET

- **Completely fill out the Parts Tag.**
- **Attach the Parts Tag to the defective part(s).**
- **Return the part(s) and the completed Warranty Claim Form to FINN Corporation using the return shipping label. (Within 2 weeks)**
- **Tape the Orange identifier sheet, marked with the W/RMA number, on the outside of the box in which you are shipping the defective part(s).**



**Warranty period:**

Hydroseeders & Straw Blowers 2 years or 2000 hrs which ever comes 1<sup>st</sup>  
All other equipment 1 year or 1200 hrs which ever comes 1<sup>st</sup>

**Commercial Limited Warranty**  
**Effective 4/1/2011**

**OUR WARRANTY TO YOU:**

Finn Corporation warrants to you, the original purchaser, for use (or rental to others for use) all new construction machinery, parts and attachments (except those referred to herein) that are manufactured by Finn to be free from defects in material and workmanship for a period noted above. Replacement parts provided under the terms of this warranty are warranted for the remainder of the warranty period applicable to the product to which parts are installed, as if parts were original components of the product.

**WHAT FINN WILL DO:**

Upon notification of Finn concerning a failure of material or workmanship in accordance with the above stated Warranty, Finn Corporation will:

- Verify claim falls within the valid warranty time frame.
- Verify the product and equipment has been registered with Finn in order to be eligible for warranty coverage.
- Upon affirmation of warranty period and registration, Finn will send to you a new or repaired replacement part(s), whichever Finn elects and a "Warranty Claim Information packet" containing instructions for processing the warranty claim.
- Evaluate the part when defective part is returned. Note: Failure to return defective part within two weeks will result in an invoice being sent to the customer. In addition, if damage to a part is determined not to be covered under the warranty, the customer will be billed.
- Reconcile costs with customer for parts and shipping, as determined by our inspection of failed parts, and confirmation of warranty coverage, per the terms of this warranty.
- Correction of nonconformities, in the manner provided above, shall constitute fulfillment of all liabilities of Finn Corporation.

**WHAT YOU MUST DO TO OBTAIN WARRANTY SERVICE:**

- As the purchaser covered under the above limited warranty you must REGISTER the equipment with Finn FAILURE TO REGISTER WILL VOID THE WARRANTY.
- Claim Number: Notify the warranty Dept. same day or next day of any intent to do warranty work and obtain a "Warranty Claim Number,"
- All warranty labor must be pre-approved by providing Finn with an estimate of labor costs. Once approved, Finn will issue you a Work Authorization Number, prior to work being performed.(EXCEPTION: Unless the labor is per the Labor Allowance Schedule or less)
- The labor costs reimbursement will be based on the Labor Allowance Schedule established by Finn and where not applicable, on a reasonable number of hours as determined by Finn.
- Notify Finn Corporation of any failure of material or workmanship as described under this warranty.
  - Web notification: Warranty@Finncorp.com
  - Phone 1-800-543-7166 extension 246
- Complete the required steps in the "Warranty Claim Information packet" (which Finn will send you) and return the defective part(s) as directed in the packet to Finn Corporation.
- Should the failed part, be a hydraulic component, Finn may send you an "Oil Analysis Kit," requesting that a sample of oil from the hydraulic system be taken, and mail it to a lab. Follow the instruction sheet, on how to use your Finn Oil Analysis Kit that comes with the Kit. Failure to comply when requested will void the warranty.

**WHAT THE WARRANTY DOES NOT COVER:**

1. Normal wear parts and Allied Equipment or trade accessories not manufactured by it, such as but not limited to items such as various filters, fluids, brakes, clutch linings, belts, hoses, light bulbs, mechanical seal, over center clutches, tires, ignitions, starters, batteries, magnetos, carburetors, engines and labor, or like or unlike equipment or accessories. (Such being subject to the warranty, if any, provided by their respective manufacture).
2. Secondhand, used, altered, or rebuilt machines or parts.
3. Defects, malfunctions or failures resulting from accidents, abuse, misuse, improper servicing, or neglect of required operational guidelines and maintenance service, as outlined in the Finn Corporation's Operators Manual(s).

4. The warranty shall be null and void to the extent any defect or failure of the products warranted arises out of or is caused by accessories or component parts not manufactured or supplied by Finn Corporation, whether same are supplied by purchaser, dealers, or any other party.

5. This Warranty does **NOT** cover any costs associated with transporting the equipment for warranty service, such as mileage, fuel, or man hours; such is the responsibility of the equipment owner.

6. Dealers & Customers are responsible to follow all guidelines related to Seasonal & Long Term Storage of Equipment, as advised in operation & equipment manuals. i.e. Finn, Engine, Clutch, Pump, Motor, etc. Equipment failures caused by neglect of these guidelines are not warrantable.

**THIS IS THE ONLY EXPRESS WARRANTY ON OUR PRODUCTS:**

We neither assume nor authorize anyone to assume for us any other express warranty. The Distributor/Dealer has no authority to make any representation or promise on behalf of Finn Corporation or to modify the terms or limitations of this warranty in any way.

THIS WARRANTY THEREFORE SHALL BE IN LIEU OF ALL OTHER WARRANTIES, EXPRESS OR IMPLIED, INCLUDING, BUT NOT LIMITED TO, ANY IMPLIED WARRANTY OF MERCHANTABILITY OR FITNESS FOR A PARTICULAR PURPOSE.

**LIMITATIONS ON OUR RESPONSIBILITY WITH RESPECT TO PRODUCTS PURCHASED:**

THE REMEDIES OF THE USER SET FORTH HEREIN ARE EXCLUSIVE, WITHOUT REGARD TO WHETHER ANY DEFECT WAS DISCOVERABLE OR LATENT AT THE TIME OF DELIVERY OF THE PRODUCT TO THE PURCHASER.

ALL WARRANTY REPAIR MUST BE DONE BY A FINN AUTHORIZED SERVICE PROVIDER OR AUTHORIZED REPAIR SHOP OF FINN'S CHOICE.

TRANSPORTATION, HAULING, STORAGE, OR OTHER SIMILAR COSTS ARE NOT PART OF FINN'S OBLIGATION UNDER THE LIMITED WARRANTIES AND IS THE RESPONSIBILITY OF THE EQUIPMENT OWNER.

**THE ESSENTIAL PURPOSE** of this exclusive remedy shall be to provide the original purchaser with repair or replacement of parts that prove to be defective within the period and under the conditions previously set forth. This exclusive remedy shall not have failed of its essential purpose (as that term is used in the Uniform Commercial Code) provided Finn remains willing to repair or replace defective parts within a commercially reasonable time after it obtains actual knowledge of the existence of a particular defect.

IN NO EVENT shall Finn be liable for any special, consequential, incidental or indirect damages, including lost profits or lost commercial opportunities, with respect to the sale of the above warranted product or anything done in connection therewith, or for property damage sustained by a person claiming to be a third party beneficiary of a surviving warranty under the law of any jurisdiction.

**NOTICE:**

FINN CORPORATION URGES the use of only Finn corporation supplied parts and attachments to assure proper performance and safe operation of Finn corporation equipment. Insist on parts and attachments manufactured or supplied by Finn corporation when you purchase, repair or replace your Finn equipment and attachments. Because Finn corporation cannot assure that parts and attachments not manufactured or supplied by Finn meet Finn corporation's quality standards, specifications, or operating requirements, our warranty is not effective to the extent any failure of or defect in a Finn corporation product arises from or is caused by parts, attachments or components not originating with Finn corporation. Use of Finn corporation equipment with parts and attachments not manufactured or supplied by Finn could result in personal injury.

# INDEX

---

Safety First . . . . .	1
Straw Blower Safety Summary Section . . . . .	2–4
Introduction . . . . .	5
Definition of Mulching . . . . .	5
The FINN B-40 Straw Blower and How It Works . . . . .	5
Towing Vehicle . . . . .	5
Loading Bales . . . . .	5
Pre-Start Check . . . . .	6
Equipment Check . . . . .	6
Starting Procedure . . . . .	6
Crew Members and Their Duties . . . . .	7
Blower Discharge . . . . .	7
Cleaning and Maintenance . . . . .	8
After First 4 to 8 Hours of Operation . . . . .	8
Daily Clean-up and Maintenance . . . . .	8
Every 50 Hour Maintenance . . . . .	8
Every 100 Hour Maintenance . . . . .	8
Lubrication and Fluids Chart . . . . .	9
B-40 Straw Blower Parts Manual Section . . . . .	11–23
Blower Shaft Assembly . . . . .	13
Discharge Head Assembly . . . . .	14–15
Beater Box and Feed Chute . . . . .	16–17
Control Box Wiring . . . . .	18
Trailer Wiring . . . . .	19
Trailer Assembly . . . . .	20
Axle and Hub Assembly . . . . .	21
Tool Kit . . . . .	22
Decals . . . . .	23



# SAFETY FIRST

With any piece of equipment, new or used, the most important part of its operation is **SAFETY!**

FINN Corporation encourages you and your employees to familiarize yourselves with your new equipment and stresses safe operation.

The first five pages of this manual are a summary of the main safety aspects associated with this unit. Be sure to read and understand completely before operating the machine.

**The symbols below are used throughout the operation and maintenance sections of this manual to call attention to safety procedures.**



Indicates a hazardous situation which, if not avoided, will result in death or serious injury.



Indicates a hazardous situation which, if not avoided, could result in death or serious injury.



Indicates a hazardous situation which, if not avoided, could result in minor or moderate injury.



Indicates practices that are not related to personal injury.

**NOTE:**

Gives helpful information.

**CALIFORNIA**  
**Proposition 65 Warning**  
The engine exhaust and some of its constituents are known to the State of California to cause cancer, birth defects, and other reproductive harm.

**CALIFORNIA**  
**Proposition 65 Warning**  
Battery posts, terminals, and related accessories contain lead and lead compounds, chemicals known to the State of California to cause cancer, and reproductive harm. Wash hands after handling.

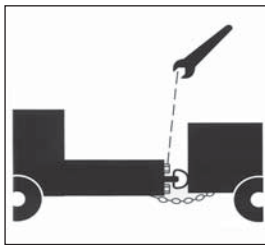
# STRAW BLOWER SAFETY SUMMARY SECTION

It is important that all operators of this machine are familiar with all safety aspects mentioned below, and have read the entire Operator's Manual before operating the machine. Always keep a copy of this manual with the machine. It is the responsibility of the operator of the machine to fully understand this safety sheet. Remember that YOU are the key to safety. Good safety practices protect not only you, but also the people working with and around you. Keep in mind that this safety sheet is written for this type of machine only. Practice all other usual and customary safe working precautions. Above all, remember that safety is up to you.

The FINN STRAW BLOWER is intended to be used as an applicator of vegetative hay or straw mulches onto the seedbed. Its use with other products or for other applications must be by approval of the product's manufacturer. If there are any questions, contact FINN Corporation at 1-800-543-7166.

## I. PRE-START EQUIPMENT CHECK (equipment check is to be made with the engine OFF):

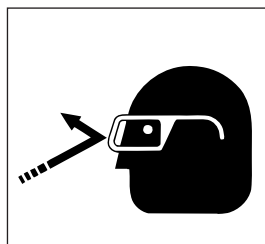
1. Check hitch and hitch bolts, safety chains, lights, brakes, and breakaway switch. Verify that the hitch ball is the correct size for the coupler.



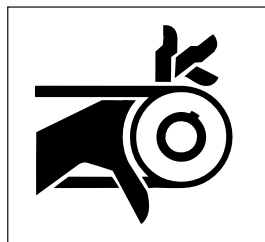
2. Check that all guard railing is in place and secure.
3. Verify that all guards are in place.
4. By carefully looking in the shredder box, inspect the shredder box for foreign objects.
5. With the ignition switch ON, verify that the signal horn is operating correctly.
6. Make sure no one is working on or inside the machine. Give a visual and audible signal that all is clear before starting the engine.

## II. MACHINE OPERATION:

1. Always wear safety goggles when operating or feeding the machine. Other safety attire, such as safety shoes, ear protection, gloves, hard hats, dust masks, etc., should be worn as required by warning decals on machine, operator's manuals, or jobsite requirements. Remove rings, watches, etc. Avoid wearing loose-fitting clothing that may get caught in rotating machinery.



2. Do not operate the machine without all guards in place.



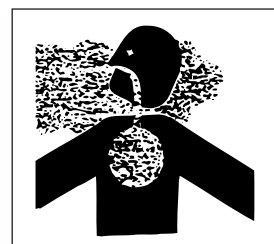
3. Make sure the discharge spray area is clear of all persons, animals, etc.
4. The driver of the carrying or towing vehicle is responsible for the safety of the operator(s) and feeder(s) of the machine. Make sure the driver is aware of and avoids all possible hazards to the operator(s) on the machine, such as tree limbs, low power lines, etc. Vehicles on which equipment is mounted or towed must be started or stopped gradually. Avoid abrupt starts and stops. Never operate on a slope or a hill that may endanger the operator(s). All personnel should review and be familiar with start/stop signals between the driver and operator(s) before operation of the equipment.

5. Operator(s) of equipment should never ride on machine at speeds greater than 5 MPH (8 km/h).



6. Never operate machine in an enclosed area without venting the exhaust of both the equipment and the vehicle on which the equipment is mounted or towed. Deadly carbon monoxide fumes can accumulate.

7. Never operate this or any other machinery when fatigued, tired, under the influence of alcohol, illegal drugs, or medication. You must be in good physical condition and mentally alert to operate this machine.



8. Never modify the machine. Never remove any part of the machine (except for service and then reinstall before operating).
9. Use proper means for mounting and dismounting of machine. Never mount or dismount a moving machine.
10. Do not aim discharge at people, animals, etc. Only aim the discharge at the intended seedbed.



11. Do not open any doors or access panels while machine is in operation. Severe injury may result from rotating parts.
12. Do not attempt to pull anything out of the feed chute or shredder box when machine is in operation. Shut down the engine using Occupational Safety and Health Administration (OSHA) lockout/tagout procedure (29CFR 1910.147) before removing any foreign objects. Give a visual and audible signal that all is clear before restarting the machine.

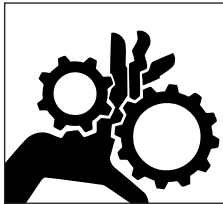


**IMPORTANT:** Be careful not to allow fuel, lubricant, hydraulic fluid, or cooling fluids to penetrate into the ground or be discharged into the water system. Collect all used fluids and dispose of them properly.

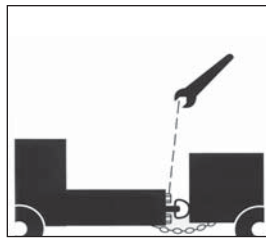
5. It is recommended that only authorized, genuine FINN replacement parts be used on the machine.
6. Make certain that all decals on the machine are maintained in good legible condition. Replacement decals are available through FINN Corporation by specifying the part number shown in the lower right-hand corner of the decal. See page 4 for the current set of safety decals mounted on the unit. See Parts Manual for the location and quantity of all decals on this unit.

### III. MAINTENANCE:

1. Before servicing the machine, turn off engine and allow all moving parts to stop. Disconnect the battery cables to prevent accidental starting of the machine. Tag the engine operating area to show that the machine is being serviced. Use lockout/tagout procedure (29 CFR 1910.147).



2. On trailer units, perform general maintenance such as checking the safety chains, hitch, hitch bolts, tires, and brakes. Repair or replace if worn or broken. Never operate machine on improperly inflated or damaged tires. Always use a safety cage or cable restraints when reinflating a repaired tire.



3. Battery maintenance. Lead-acid batteries contain sulfuric acid, that will damage eyes or skin on contact. Always wear a face shield to avoid getting acid in the eyes. If acid contacts eyes, flush immediately with clean water and get medical attention. Wear rubber gloves and protective clothing to keep acid off skin. Lead-acid batteries produce flammable and explosive gases. Keep arcs, sparks, flames, and lighted tobacco away.
4. Filling of fuel. Never fill the fuel tank while the engine is running, while smoking, or when near an open flame. Never smoke while handling fuel or working on the fuel system. The fumes in an empty fuel container are explosive. Never cut or weld on fuel lines, tanks, or containers. Move at least 10 feet (3 meters) away from fueling point before starting engine. Wipe off any spilled fuel and let dry before starting engine.

# CURRENT SET OF SAFETY DECALS

**CAUTION**

**Wear eye protection around operating equipment.**

23519

**WARNING**

**THROWN OBJECT HAZARD  
KEEP AWAY**

- To prevent serious injury or death from thrown objects:
- Stay away from discharge area during operation. Keep others away.
- Do not point discharge toward people, animals or property

SW905

**WARNING**

**Do not operate without guards in place.**

12179

**DANGER**

**HOT EXHAUST**

012278

**CAUTION**

AREA AROUND ENGINE  
MUST BE KEPT CLEAR  
OF FLAMMABLE MATERIAL

P/N 35101

**WARNING**

**BREAKAWAY SWITCH**  
Do not use for parking. Attach cable to towing vehicle with slack for turning. Engine battery on trailer must be charged and hooked up for proper breakaway function.

P/N-23423

**SAFETY CHAIN INSTALLATION**

**CAUTION**

Both the single and double chains must be crossed under the tongue. They must be oriented in such a manner as to prevent the tongue from dropping to the ground in the event of failure to the hitch, coupler or ball. The Chains must be connected to the towing vehicle so that the slack for each length of chain, between the trailer and the towing vehicle, is the same and must have no more slack when in use than is necessary to permit proper turning of the vehicles. The forward end of the chain must be attached to the towing vehicle, not to the ball, but to the hitch or other frame member. The chain must be looped around the member and hooked back into itself.

P/N-31228

**CAUTION**

Always inspect tow vehicle and equipment hitch before towing. Tighten all hitch bolts and properly connect wiring and safety chains.

P/N-31227

**CAUTION**

5 MPH  
8 km/h

00000

**DANGER**

**Rotating Parts.**  
Turn off engine and allow all parts to stop completely before opening door, removing guards or attempting service.

20068

# Operation and Maintenance

## Manual for

### B-40 Straw Blower

#### INTRODUCTION

This manual is designed for step-by-step instructions of the operation, care, and maintenance of the B-40 Straw Blower. In addition, it contains illustrations and descriptions of a complete list of parts and components for easy identification. For best results and to ensure longer life of the equipment, please follow the instructions carefully. For your safety, read the entire manual before operating this unit.

#### DEFINITION OF MULCHING

Mulching is the process whereby a vegetative mulch such as hay or straw, sometimes excelsior, or other wood product or other vegetative material is spread on previously seeded areas to promote germination, while providing temporary erosion control.

#### THE FINN B-40 STRAW BLOWER AND HOW IT WORKS

The FINN B-40 Straw Blower will apply vegetative mulch at a fast and uniform rate, utilizing a minimum amount of manpower. The baled vegetative mulch material is placed on the feed chute and separated by the bale feeder as he feeds these bales into the beater box. In the beater box, a combination of beater chains and air currents separates the mulch into individual fibers. These fibers are drawn into the blower housing and blown through the discharge assembly onto the seedbed.

#### TOWING VEHICLE

The truck used to tow the FINN B-40 Straw Blower should have a bed large enough to carry the quantity of mulch needed for economical operation. The truck must be equipped with a 2 in. ball rated 3000 lb (1360 kg). The tow vehicle must be able to support 400 lb (181 kg) down on its hitch.

#### LOADING BALES

Load the bales of mulch on the truck bed with binder twine or wire on top rather than on the side. This makes it easier to grab the bales while the Straw Blower is in operation.

Place the first layer of bales lengthwise on the truck. The second layer of bales should be placed crosswise. Alternate successive layers lengthwise and crosswise in order to secure the load. Leave enough room at the rear of the truck bed for the bale handler to stand.

#### PRE-START CHECK

1. Skid Unit – Check condition of all mounting hardware securing the Straw Blower to the truck bed.  
Trailer Unit – Inspect hitch, safety chains, lights, brakes, and breakaway switch.
2. Ensure all guards are in place.

## EQUIPMENT CHECK



**Equipment check must be made with the engine OFF and all rotating parts stopped. Failure to comply could result in death or serious injury.**

1. Tool kit - Make sure that it contains the following items: twine knife (number 20057) and ENGINE OPERATOR'S MANUAL. See TOOL KIT on page 24.
2. Check beater box for foreign objects that could damage the equipment or injure workers.
3. Check fuel tank and fill as required. Use gasoline only.
4. Check engine oil and fill or change as required. Refer to ENGINE OPERATOR'S MANUAL.
5. Inspect air cleaner for dust and dirt. Refer to ENGINE OPERATOR'S MANUAL.
6. Check beater chains and their mounting pins for damage or wear. Replace if necessary.
9. Lubricate equipment. Use hand gun only. See LUBRICATION CHART on page 9.

## STARTING PROCEDURE



**See safety section of the manual (pages 2 through 4) before operating the machine. Failure to comply could result in minor to moderate personal injury. Failure to comply could also result in product or property damage.**

1. Place the clutch switch in the DISENGAGE position.
2. Set throttle about 1/4 open.
3. Pull choke control out.
3. Turn key counterclockwise until starter engages and the engine starts.
4. Push the choke control in for even running.
5. Allow the engine to warm up for 3 to 5 minutes.

**NOTE:** This engine has a safety system that will shut the engine off if the engine oil pressure decreases below an acceptable level.

6. With the engine running between 1250 and 1750 rpm (check tachometer), move the clutch switch to the ENGAGE position. The clutch is then activated using an electrical pulse and will gradually engage over a 3-second time span.

**NOTE:** When starting your B-40 Straw Blower under cold conditions: until engine warms to the appropriate operating temperature, it may be necessary to slightly increase the choke before engaging the blower.

## CREW MEMBERS AND THEIR DUTIES

1. The Operator controls the placement of the mulch on the seedbed by moving the discharge assembly. He also controls the movement of the towing truck along the seedbed by using a predetermined set of hand signals.
2. The Bale Handler operates from the truck bed and supplies the feeder with bales of mulch material, cut side up.
3. The Bale Feeder cuts and disposes of the twine or wire. He also separates the bale into 1-1/2-inch to 2-inch bats and feeds those into the shredder box allowing about 10 inches of space between bats. Uniform feeding assures fast separation and more uniform application.
4. The Truck Driver follows the directions of the operator for the movement of the towing truck. The truck driver should be cautious in starting or stopping the truck so that the crew members are not thrown off balance.

## BLOWER DISCHARGE

The B-40 Straw Blower should be towed to a point approximately 20 ft (6 m) from the area where the mulch is to be applied. The operator elevates the discharge spout about 10 degrees above the plane of the seedbed so that the mulch floats onto the seedbed.

**NOTE:** Do not drive the mulch into the seedbed with air pressure. The higher the tube is held, the more uniform the application will be.

A full circle horizontal travel of the discharge spout allows the operator to vary the direction of the discharge spout according to the prevailing winds. The tube should never be directed into the wind, towards any persons, or at the towing vehicle. Use the engine throttle to control the distance of the mulch.

### CAUTION

**Be sure beater chains are mounted opposite each other at all times to avoid throwing the blower shaft out of balance. Failure to comply could result in minor to moderate personal injury. Failure to comply could also result in product or property damage.**

If any obstruction stops the flow of mulch, immediately disengage clutch and shut engine OFF. Do not reach into the beater box or attempt any adjustment until the engine and all rotating parts have stopped. When the obstruction has been removed, the motor can be restarted and mulch application can continue.

### DANGER

**Do not reach into the beater box or attempt any adjustment until the engine and all rotating parts have stopped. Failure to comply will result in death or serious injury.**

## CLEANING AND MAINTENANCE

## **AFTER FIRST 4 TO 8 HOURS OF OPERATION**

1. Check and adjust belt. Proper tension is obtained when 3/8 in. (1 cm) of belt deflection is obtained at the center of the belt span with a force of 5 lb (2.2 kg) with a used belt and 7 lb (3.2 kg) with a new belt.
2. Torque wheel lugs to 85 to 98 ft.lb (12 to 13 kg-m), and again after 7 days. (Trailer option only.)
3. Change engine oil and filter.

## **DAILY CLEAN-UP AND MAINTENANCE**

Follow this procedure daily to keep the equipment in good operating condition:

1. Clean the air cleaner following the instructions in the ENGINE OPERATOR'S MANUAL.
2. Clean the beater chains, making sure to remove all twine, wire, and other foreign objects. Check pins and nuts.
3. Lock the discharge tube into place.
4. Check engine oil level and fill as necessary.
5. Check hitch bolts and safety chains. Repair or replace as necessary.

## **EVERY 50 HOUR MAINTENANCE**

After each 50 hour period of operation, follow this procedure:

1. Lubricate bearings with general-purpose chassis lubricant, using a grease gun. Wipe each bearing before lubrication to remove dirt and prevent overheating.
2. Inflate tires to 35 psi (241 kPa).
3. Check belt adjustment.

## **EVERY 100 HOUR MAINTENANCE**

1. Change engine oil, following engine manufacturer's recommendations, after every 100 hours.
2. Change the engine oil filter cartridge with every oil change (once every 100 hours).



**Perform maintenance only while engine is OFF. Failure to comply could result in minor to moderate personal injury. Failure to comply could also result in product or property damage.**

# LUBRICATION AND FLUIDS CHART

Ref. No.	Location	Lubricant	Frequency	Number
1.	Grease drive shaft bearings.	CL	Weekly	2
2.	Check fuel tank level.	GA	Daily	1
3.	Check engine oil level.	MO	Daily	1
4.	Check air cleaner.		Daily	1
	Service pre-cleaner element.		Every 25 Hours	1
	Change air cleaner element.		Every 100 Hours	1
5.	Change engine oil and filter.	MO	Every 100 Hours	1

## LUBRICANT OR FLUID USED

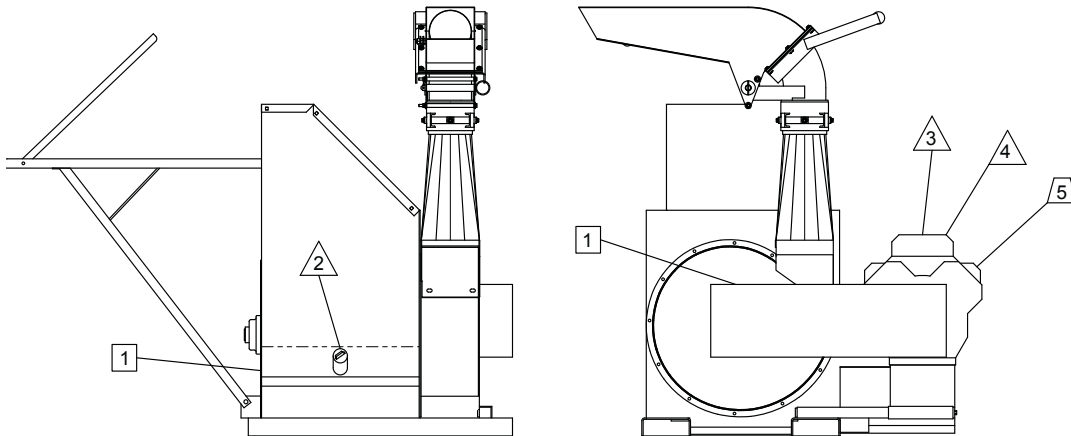
CL Chassis Lubricant  
 MO Motor oil SAE 30 CD/SF  
 GA Gasoline Fuel

### TIME KEY

DAILY (8 hours)      △  
 WEEKLY (50 hours)      □  
 EVERY 100 hours      ▱

### FLUID CAPACITIES

Fuel - 4.0 gal (15 L)  
 Engine Oil - 2.1 qt (2 L)



# NOTES

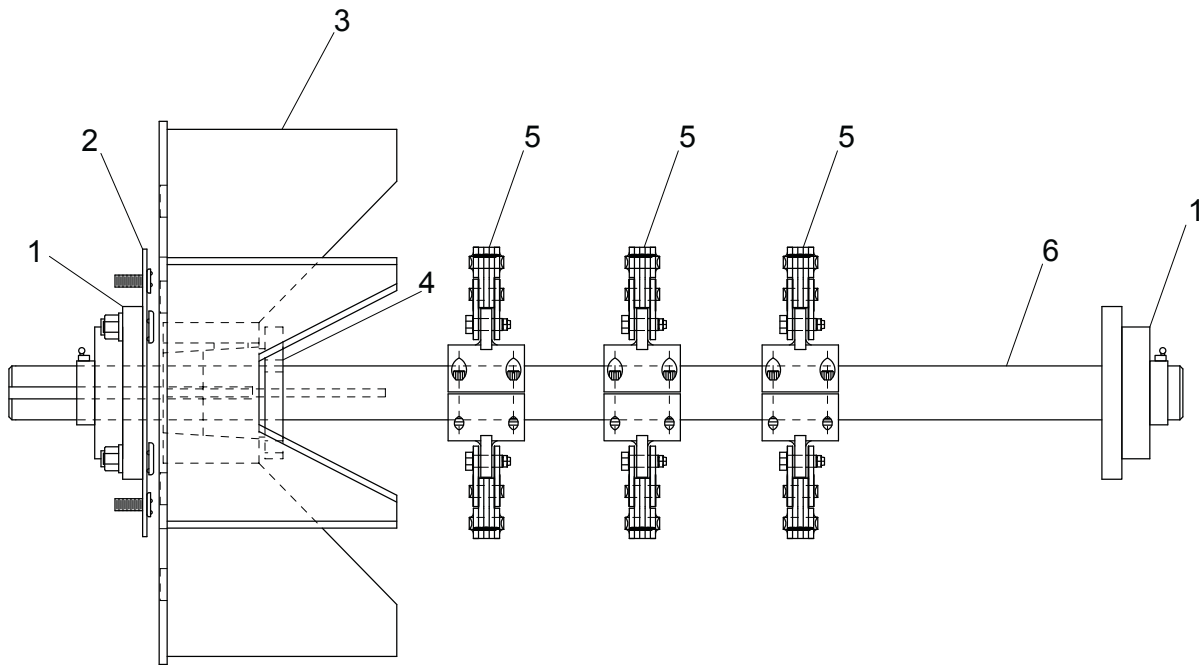


# **B-40 Straw Blower**

## **Parts Manual**

**Model MD**

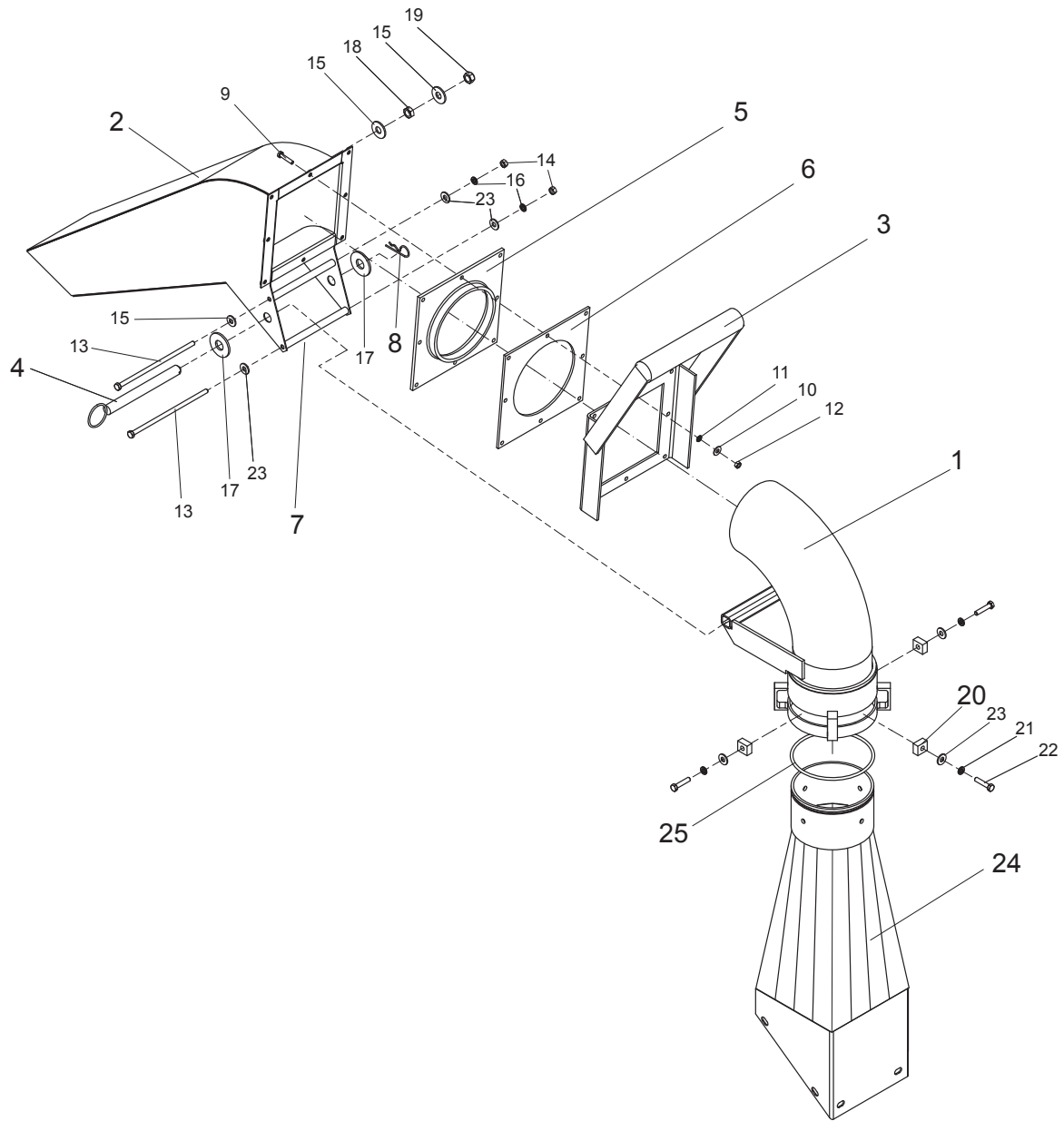
# NOTES



## BLOWER SHAFT ASSEMBLY

Ref. No.	Part No.	Description	No. Required.
1	035033	Blower Shaft Bearing	2
2	035021	Shaft Pad Weldment	1
3	035104	Blower Blade Assembly	1
4	035099	Blower Bushing w/Key	1
	190125-70	Blower Blade Key	1
5	035081	Beater Chain Assembly	3
	022487	5/16 Flex Lock Pivot Nut	6
	020119	Hardened Shoulder Bolt	6
	035080	Beater Hub Weldment	3
	020238	Beater Chains - 2 Pitch	6
6	035013	Blower Shaft	1
	035074	Driven Sheave	1
	035075	Gripnotch Belts - Matched set of 2	1

**WHEN ORDERING PARTS, BE SURE TO STATE SERIAL NUMBER OF MACHINE**

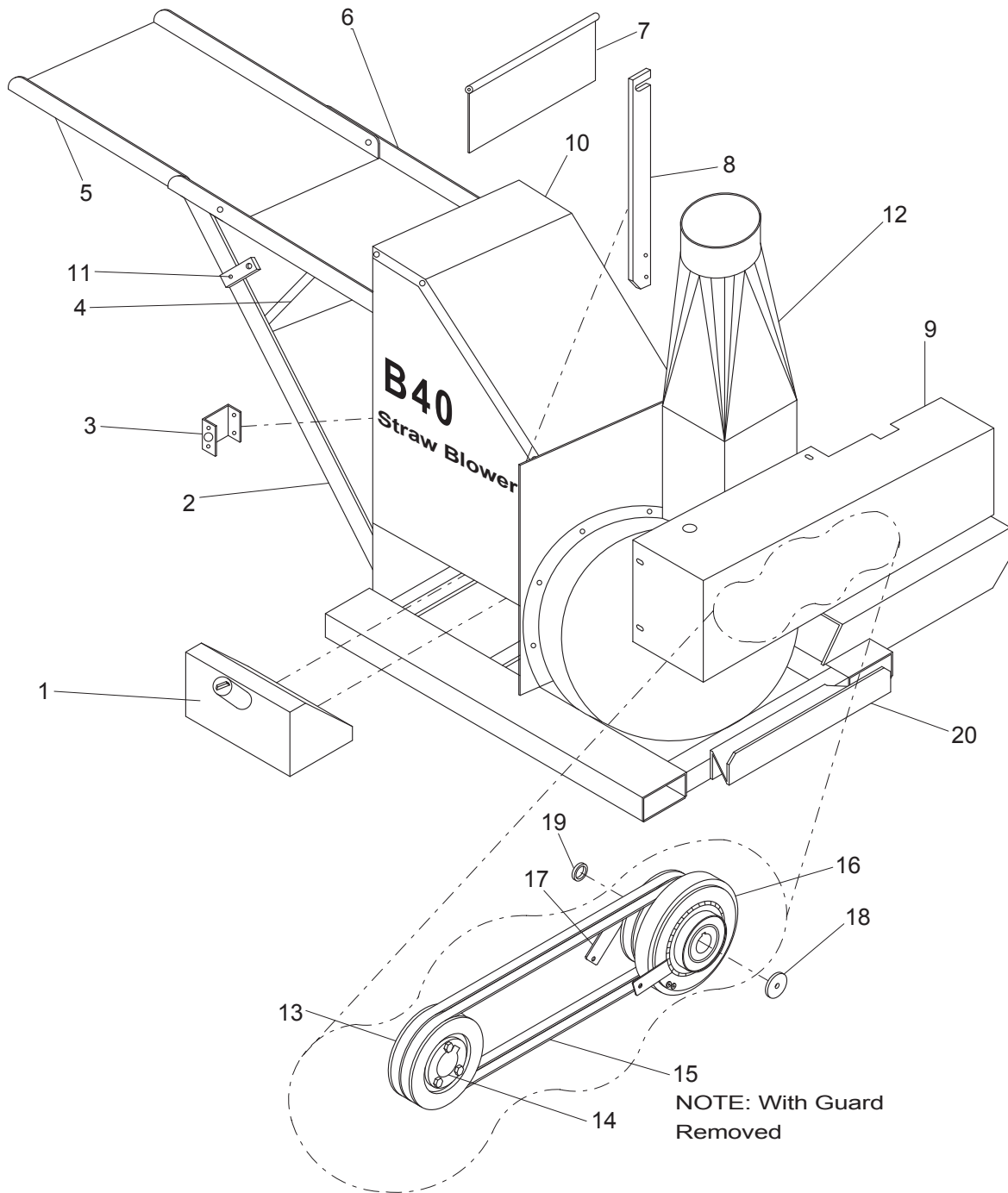


**WHEN ORDERING PARTS, BE SURE TO STATE SERIAL NUMBER OF MACHINE**

## DISCHARGE HEAD ASSEMBLY

Ref. No.	Part No.	Description	No. Required
1	035115	Discharge Elbow	1
2	035111	Discharge Tube Weldment	1
3	035117	Discharge Head Handle	1
4	035118	Pivot Pin	1
5	035114-01	Discharge Seal - Felt	1
6	035114-02	Discharge Main Seal - Rubber	1
7	035116-03	Head Stop Tubes	2
8	022962	Hair Pin Cotter	1
9	X0420	1/4" Bolt	8
10	W04F	1/4" Flat Washer	16
11	W04L	1/4" Lock Washer	8
12	Y04	1/4" Hex Nut	8
13	X05128	5/16" Bolt	2
14	Y05	5/16" Hex Nut	2
15	W08F	1/2" Flat Washer	2
16	W05L	5/16" Lock Washer	2
17	W12F	3/4" Flat Washer	2
18	Y08J	1/2" Jam Nut	1
19	Y08L	1/2" Lock Nut	1
20	035024-09	Swivel Spacer	4
21	W05L	5/16" Lock Washer	4
22	X0524	5/16" Bolt	4
23	W05F	5/16" Flat Washer	8
24	035136	Transition Weldment	1
25	035037	O-Ring	1

**WHEN ORDERING PARTS, BE SURE TO STATE  
SERIAL NUMBER OF MACHINE**

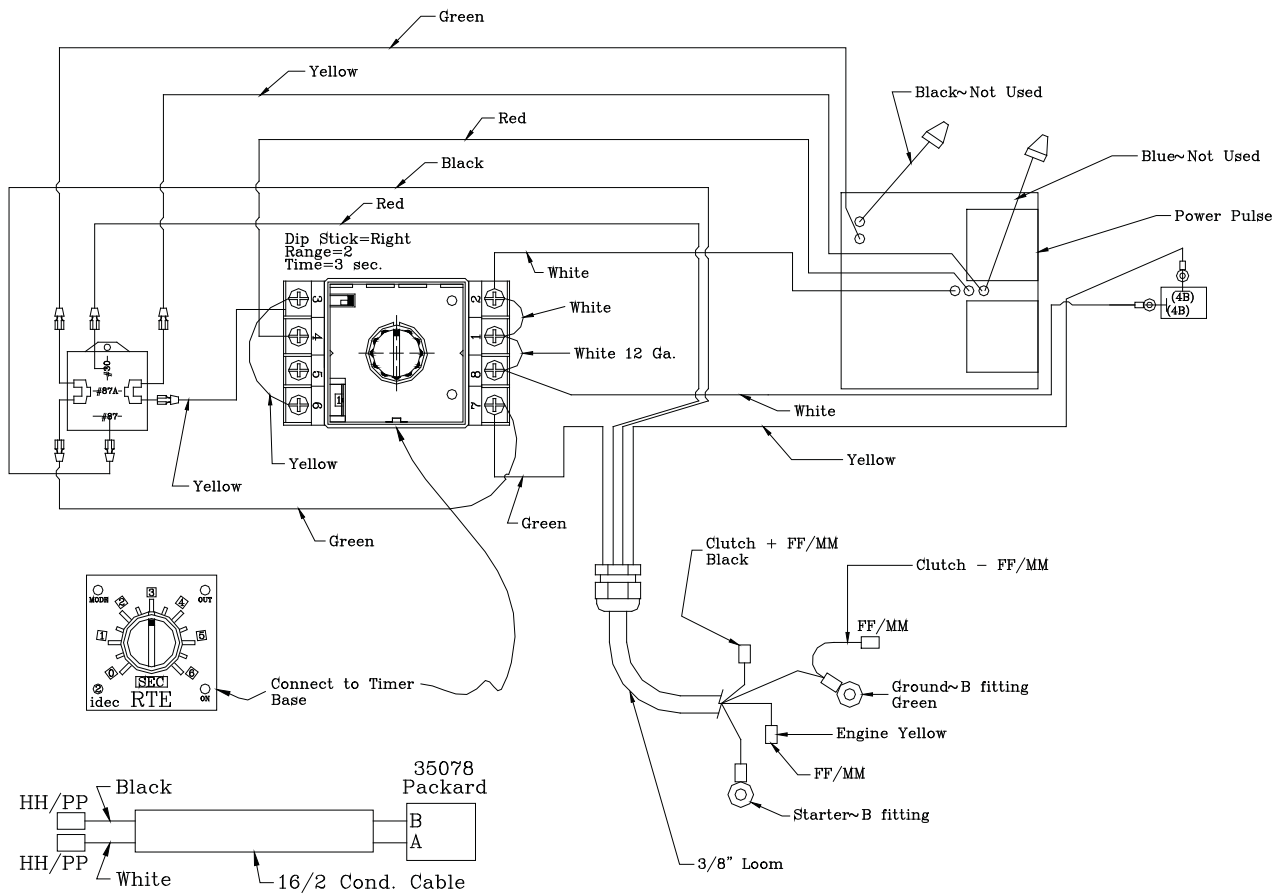


**WHEN ORDERING PARTS, BE SURE TO STATE SERIAL NUMBER OF MACHINE**

## BEATER BOX AND FEED CHUTE

Ref. No.	Part No.	Description	No. Required
1	035143	Gasoline Fuel Tank	1
	080691C	Fuel Cap	1
	035123V	Shut-Off Valve	1
	035123G	Shut-Off Valve Grommet	1
	035012-02	Fuel Tank Holder	1
2	035004-01	Feed Chute Support	1
3	035109-02	Shaft Guard Cover	1
	035109-01	Shaft Gaurd Base	1
4	035004-02	Feed Chute Gusset	1
5	035113-01	Feed Chute Extension	1
6	035113-02	Feed Chute	1
7	035018	Feed Swing Door	1
	035018-04	Swing Rod	1
8	035012-01	Tube Hold-Down	1
	031245	Snapper Pin	1
9	035070	Belt Guard	1
	035071	Belt Guard Mount	1
10	035008	Beater Box Cover	1
11	035018-08	Feed Chute Latch	1
	035041	Cotterless Hitch Pin	1
12	035136	Transition Weldment	1
13	035074	Clutch Sheave	1
14	030876	Clutch Sheave Bushing	1
15	035075	Gripnotch Belts - Matched set of 2	1
16	035073-01	Electric Clutch	1
17	035135	Clutch Retainer	1
	035025	20.5 HP Engine	1
	KL1205001	Oil Filter	1
	KL4708303	Air Filter	1
	KL2406857-S	Muffler	1
	080105	Fuel Filter	1
18	035069-05	Clutch Retaining Washer	1
19	035069-04	Clutch Spacer	1
20	035083	Bumper Guard	1

**WHEN ORDERING PARTS, BE SURE TO STATE  
SERIAL NUMBER OF MACHINE**

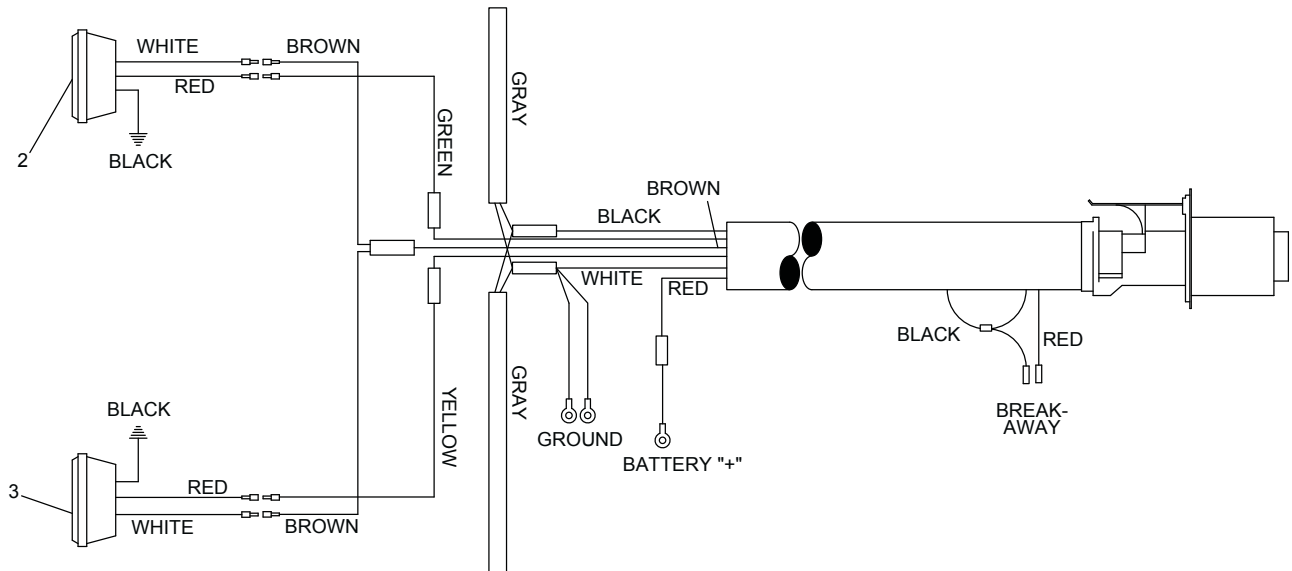


## CONTROL BOX WIRING

Part No.	Description	No. Required
035128	Control Box Assembly	1
035128W	Wiring Harness for 035128	1
035098	Power Pulse Flasher	1
052112	Toggle Switch	1
080526	Toggle Switch Boot	1
FW71584	Idec Timer Relay	1
FW71585	Idec Timer Relay Socket	1
FW71749-02	Relay	1
035130	Ground Strap	1
035127	Battery	1
035073	Electric Clutch	1
035103	Control Box	1
035129	Battery Cable (RED)	1

**WHEN ORDERING PARTS, BE SURE TO STATE SERIAL NUMBER OF MACHINE**

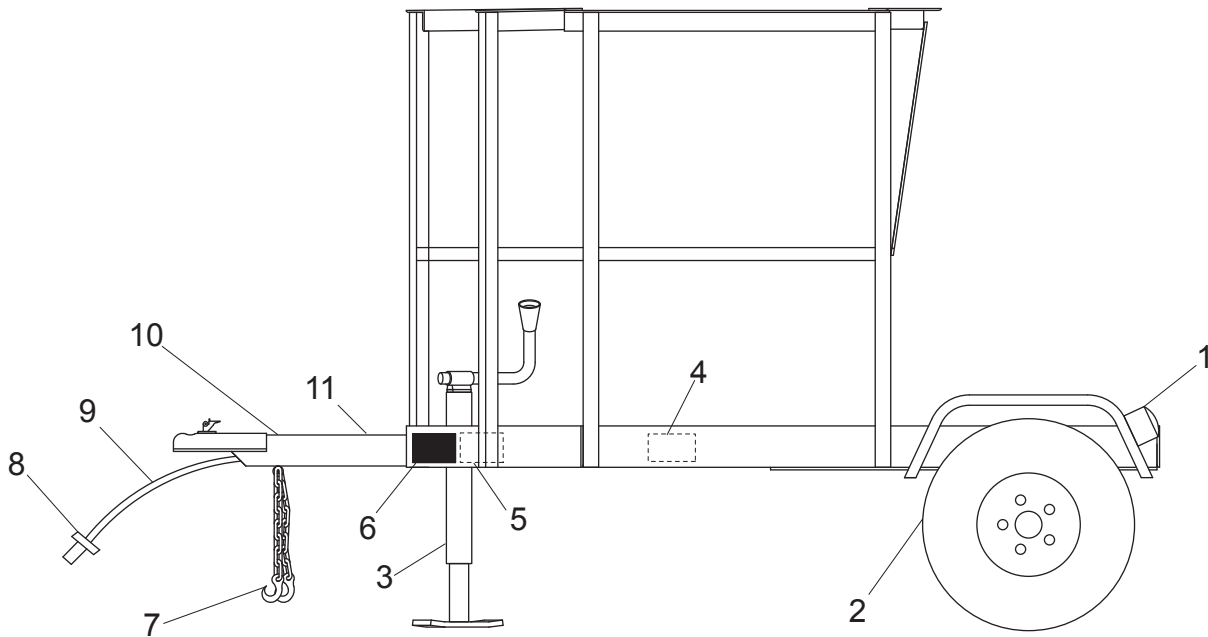




## TRAILER WIRING

Part No.	Description	No. Required
035060	Trailer Wiring	1
060069	Plug and Receptacle	1
005137	Left-Hand Taillight	1
005137-A	Taillight Lens	1
005138	Right-Hand Taillight	1
005137-A	Taillight Lens	1

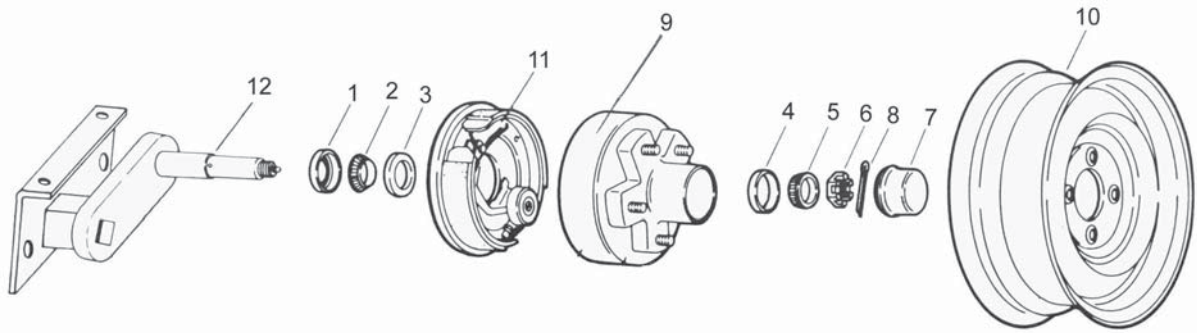
**WHEN ORDERING PARTS, BE SURE TO STATE SERIAL NUMBER OF MACHINE**



## TRAILER ASSEMBLY

Ref. No.	Part No.	Description	No. Required
1 LH	005137	Left-Hand Taillight	1
1 RH	005138	Right-Hand Taillight	1
2	035140	Rubber Torsion Axle	1
	055493	Wheel and Tire Assembly	2
3	031189	Jack	1
4	020970	Decal "Caution Do Not ..."	1
5	031228	Decal "Saftey Chain ..."	1
6	031227	Decal "Always Inspect..."	1
7	023915	Grab Hook	2
	190028	Binder Chain	6
8	060069	Trailer Plug	1
9	035060	Trailer Wiring Harness	1
10	061361	Trailer Assembly	1

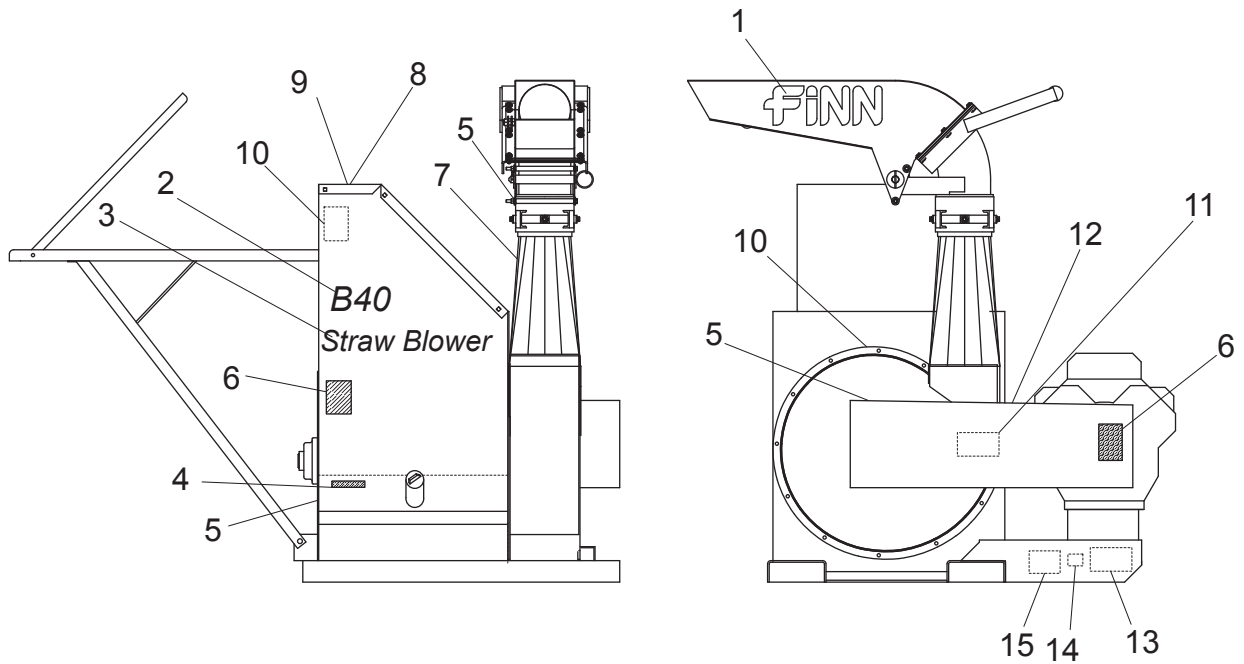
**WHEN ORDERING PARTS, BE SURE TO STATE SERIAL NUMBER OF MACHINE**



## AXLE AND HUB ASSEMBLY

Ref. No.	Part No.	Description	No. Required
	055503	Axle Assembly	2
1	WL10-9	Grease Seal	1
2	WL31-31-2	Inner Bearing Cone	1
3	WL31-31-1	Inner Bearing Cup	1
4	WL31-31-1	Outer Bearing Cup	1
5	WL31-31-2	Outer Bearing Cone	1
6	WL6-1	Spindle Nut	1
7	WL21-3	Grease Cap	1
8	WL19-2	Cotter Pin	1
9	WL8-257-4	Hub and Drum	1
	WL25-53	1/2" - 20 Stud	5
10	WL4-54	Brake Flange	1
11	055493	Wheel and Tire Assembly	1
	055493-R	Wheel	1
	055493-T	Tire	1
12	WL23-47	Left-Hand Brake Assembly	1
	WL23-48	Right-Hand Brake Assembly	1

**WHEN ORDERING PARTS, BE SURE TO STATE SERIAL NUMBER OF MACHINE**



## DECALS

Ref. No.	Part No.	Description	No. Required
1	031235	Decal "FINN"	2
2	023856-03	Decal "B40"	2
3	023855	Decal "Straw Blower"	2
4	031331	Decal "Gasoline"	1
5	007231	Decal "Service Weekly"	3
6	012179	Decal "Warning Do Not..."	2
7	055280	Decal "Warning Thrown..."	1
8	023519	Decal "Caution Wear Eye..."	1
9	020068	Decal "Danger Rotating..."	2
10	035106	Decal "Operating Instructions..."	1
11	035101	Decal "Caution Area..."	1
12	012278	Decal "Danger Hot Exhaust"	1
13	011690	FINN Name Plate	1
14	020976	Decal "Patent Infringement"	1
15	012260	Maintain Safety Decal Plate	1

**WHEN ORDERING PARTS, BE SURE TO STATE SERIAL NUMBER OF MACHINE**

## TOOL KIT

Part Number	Description	No. Required
410003-05	B-40 Tool Box Parts Kit	1
012305	Adhesive Label	1
020057	Twine Knife #13	1
012681A	FINN Beige Aerosol Paint	1
020063	Twine Knife #11	1
KL1205001	Oil Filter	1
KL4708303	Air Filter	1
KL2406857-S	Muffler	1
080105	Fuel Filter	1

**WHEN ORDERING PARTS, BE SURE TO STATE  
SERIAL NUMBER OF MACHINE**