



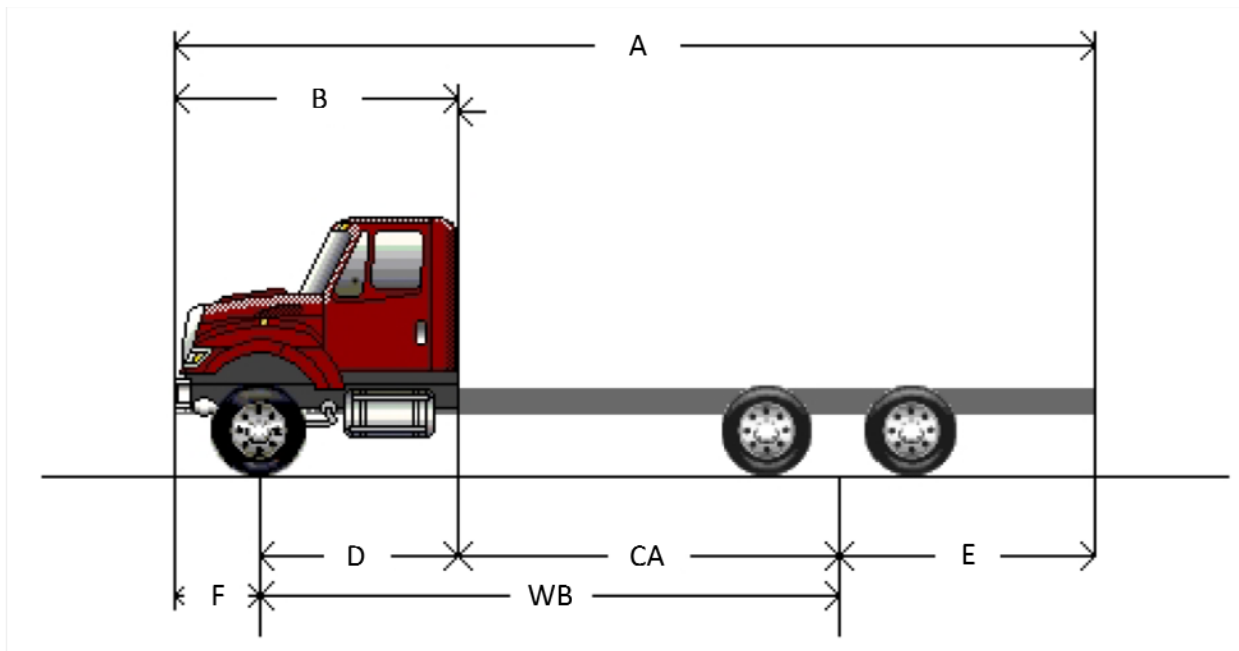
9281 LeSaint Drive, Fairfield, OH 45014

## Truck Loading Template

The purpose of this template is to provide a tool to our customers to enable collection and submission of the minimal information needed to define an engineered truck solution.

All measurements listed below are required to correctly validate a truck's applicability to carry FINN equipment byway of engineering calculation. Filling out this form fully will ensure delays do not occur due to requesting additional data.

Thank you for your support.



**Figure 1**

### **Required Data (ref. Figure 1)**

A =

B =

CA (Cab-to-Axle) =

D =

E =

F =

WB (Wheelbase) =

### **Weights**

Truck Weight =

Front Axle Capacity =

Rear Axle Capacity =

Front Axle Load (empty weight) =

Rear Axle Load (empty weight) =

\* All dimensions to be inches and pounds unless specified