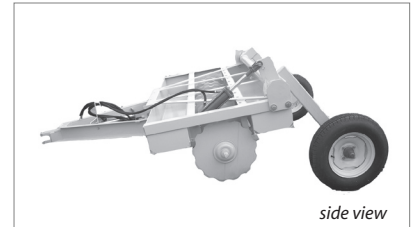
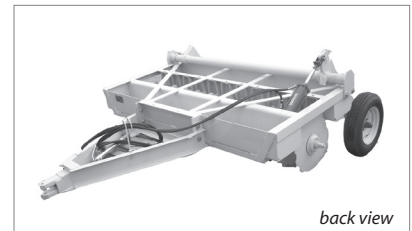




8 ft. wheeled hydraulic Krimper



side view



back view

The FINN Krimper attachment is the ideal partner to any seeding project that requires the use of straw or hay to protect the seed and help it grow by retaining moisture. FINN Krimpers anchor the straw into the soil to avoid loss of material or coverage. At the same time, the Krimper ensures the reduction of erosion and runoff while the seed is germinating. Alternatively, if the straw or hay is not anchored to the soil, it is subject to the risk of blowing or washing away by high winds or rainfall.

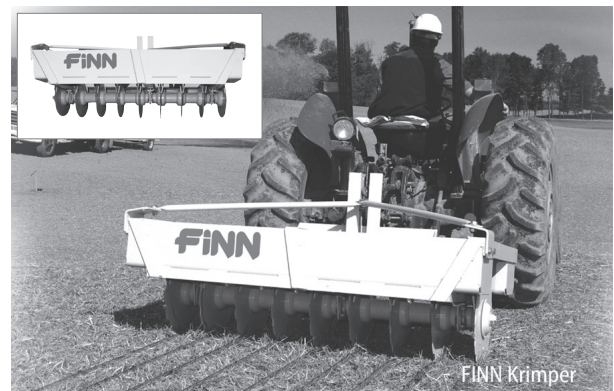
**Heavy Duty Design.** The FINN Krimper is designed with 20 inch diameter heavy-duty notched coulters that are evenly spaced 8 inches apart to eliminate potential problems such as rock jamming. Each coulters is equipped with scrapers to clean the blade. When the Krimper is rolled across newly placed straw or hay it punches a portion of the material into a slot in the soil which is closed as the blade is removed to securely fasten the straw to the ground. Once the straw is firmly held in place, it acts as a wind break every 8 inches to keep the material from blowing or washing away. In addition, ballast boxes are built into the frame for added auxiliary weight in adverse conditions.

**Standard Versatility.** Proper use of the FINN Krimper will provide protection for newly seeded areas on both slopes and flat surfaces. The Krimper is perfect for any application where straw or hay has been used for seed protection, soil stabilization, erosion control and straw mulch applications. Regardless of the

job size or type of work, the FINN Krimper's rugged construction will allow years of dependable performance.

FINN Krimpers are available in three distinct models to satisfy any krimping job. A 6 ft. wide 3-point hitch model, an 8 ft. wide 3-point hitch model, and an 8 ft. wide wheeled hydraulic tow-behind version that pivots on its frame.

As the world leader for over 70 years in the design and manufacture of innovative, quality equipment for the erosion control industry, FINN Corporation is committed to your complete satisfaction.

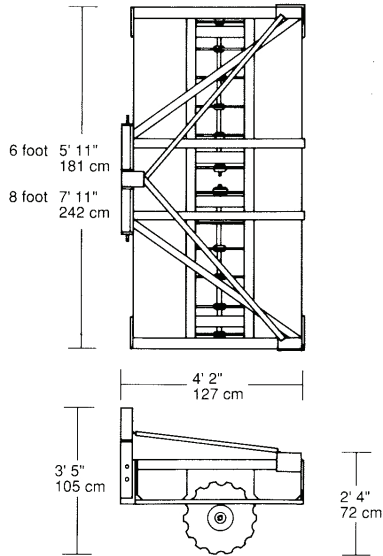


6 ft. 3-point hitch Krimper shown. 8 ft. 3-point hitch is similar with 12 blades.

### SMARTER WAYS TO WORK

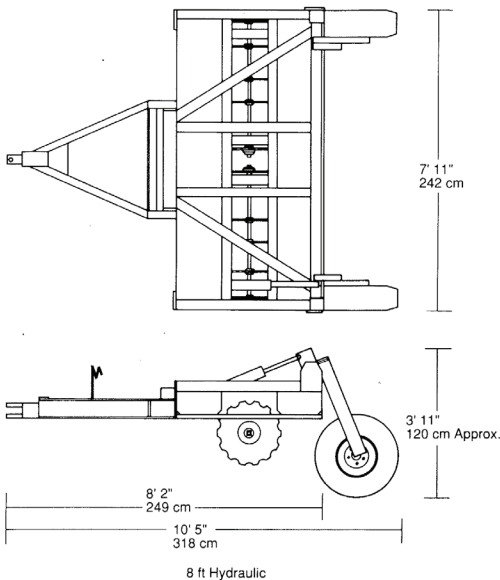
9281 LeSaint Drive • Fairfield, OH 45014-5457 • Phone (513) 874-2818 • Fax (513) 874-2914  
Toll Free (800) 543-7166 • Parts (800) 229-8707 • E-mail: sales@finncorp.com  
Customer Service/Warranty (888) 382-1966

### 6 FT. AND 8 FT. 3-POINT HITCH



6 ft & 8 ft 3 point hitch

### 8 FT WHEELED HYDRAULIC



8 ft Hydraulic

### FINN KRIMPERS TECHNICAL SPECIFICATIONS

COULTER BLADES .....	1/4" (.64 cm) x 20" (50.8 cm) notched design, evenly spaced 8" (20.3 cm) apart with scrapers to clean blades. 6 ft. (1.8 m) model has 9 blades, and 8 ft. (2.4 m) model has 12 blades.
BALLAST BOXES .....	2 boxes constructed from 3/16" (.48 cm) steel (with drain holes) for carrying auxiliary weight
AXLE .....	1" (2.5 cm) square carbon steel gangbolt with locking nut and tension washers. Split axle on 8 ft. (2.4 m) model.
AXLE BEARINGS.....	Heavy triple sealed ball bearings. 6 ft. (1.8 m) model has 3 bearings, and 8 ft. (2.4 m) model has 4 bearings.
3-POINT HITCH MODEL.....	Standard category I and II hitch
WHEELED TOW MODEL.....	"A" frame towing tongue with adjustable axle pivoted on Krimper frame. Hydraulic cylinder for raising and lowering Krimper. 14" (35.6 cm) x 5" (12.7 cm) rims.
WEIGHT .....	6 FT. 3-POINT    1,200 lbs. (544 kg) 8 FT. 3-POINT    1,500 lbs. (680 kg) 8 FT. WHEELED    1,800 lbs. (816 kg)

FINN Corporation has a policy of continuous product improvement, and reserves the right to change design and specifications without notice.