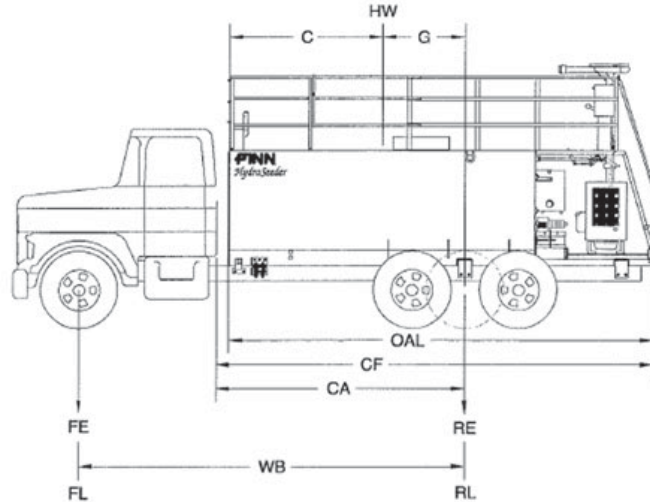




# TRUCK MOUNTING

*For speed and mobility of operation, the HydroSeeder should be mounted on a truck or trailer, however, it is important to select a carrier with sufficient capacity to handle the added weight.*

## MOUNTING CALCULATIONS



$$(WB \times FL) - (WB \times FE) = \frac{G}{HW}$$

$$WB \times (RE + HW - RL) = \frac{G}{HW}$$

G + C must be equal to or less than CA

$$(WB \times FE) + (G \times HW) = \frac{FL}{WB}$$

$$(WB \times RE) + HW \times (WB - G) = \frac{RL}{WB}$$

## MOUNTING CALCULATIONS KEY

- CF** | Back of cab to the end of frame | \*
- C** | Distance from HydroSeeder front to center gravity
- CA** | Back of cab to center of rear axle or trunnion on tandem | \*
- FE** | Front axle weight, empty | \*
- FL** | Front axle weight, loaded | \*
- G** | Distance from center of bogie to HydroSeeder center of gravity
- HW** | HydroSeeder weight
- RE** | Rear axle weight, empty | \*
- RL** | Rear axle weight, loaded | \*
- WB** | Truck wheel base | \*



9281 LeSaint Drive  
Fairfield, OH 45014

Toll Free (800) 543-7166  
Email: sales@finncorp.com  
www.finncorp.com

\* These dimensions needed from truck supplier as well as front and rear axle capacity

\*\* Truck GVW depends on the truck weight. CA dimensions are approx. only, and depend on both front and rear axle capacities, as well as the front and rear empty axle weights

\*\*\* Weight of HydroSeeder, water and full charge of granular solids only. No auxiliary equipment loads included

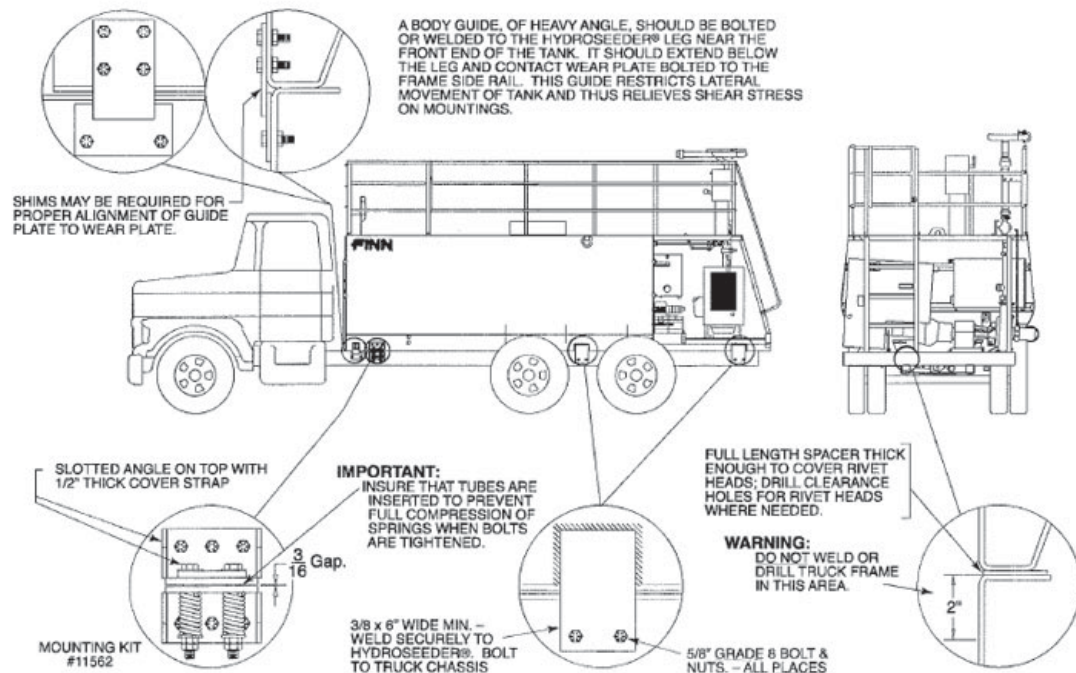
# TRUCK MOUNTING



## HYDROSEEDER MODEL SPECIFICATIONS

Specs	T170	T280	T330	T400
Truck GVW**	35,900 lbs 16,284 kg	49,600 lbs 22,498 kg	56,000 lbs 25,401 kg	63,000 lbs 28,576 kg
CA**	110 in 279 cm	120 in 305 cm	144 in 366 cm	162 in 411 cm
C (LOADED)	71 in 180 cm	82 in 208 cm	100 in 254 cm	118 in 300 cm
C (EMPTY)	112 in 284 cm	122 in 310 cm	134 in 340 cm	152 in 386 cm
OAL	192 in 488 cm	209 in 531 cm	237 in 602 cm	273 in 693 cm
HW (EMPTY)	6,500 lbs 2,950 kg	8,950 lbs 4,060 kg	9,600 lbs 4,354 kg	10,436 lbs 4,734 kg
HW (H2O ONLY)	21,200 lbs 9,616 kg	32,050 lbs 14,538 kg	37,740 lbs 17,119 kg	42,000 lbs 19,051 kg
HW (FULL LOAD) ***	23,900 lbs 10,841 kg	35,600 lbs 16,148 kg	42,000 lbs 19,051 kg	44,000 lbs 19,958 kg

## GENERAL MOUNTING GUIDELINES



9281 LeSaint Drive  
Fairfield, OH 45014

Toll Free (800) 543-7166  
Email: sales@finncorp.com  
www.finncorp.com