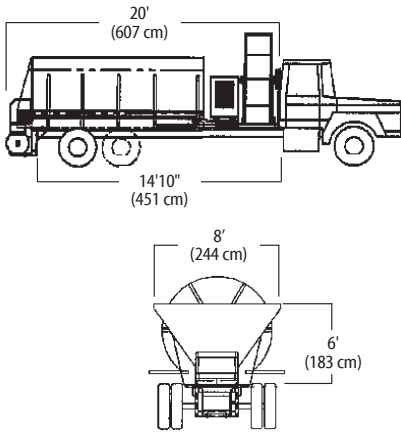
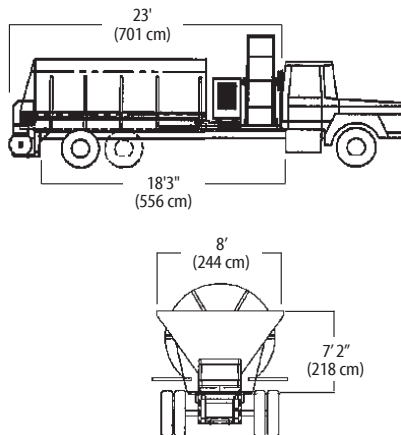


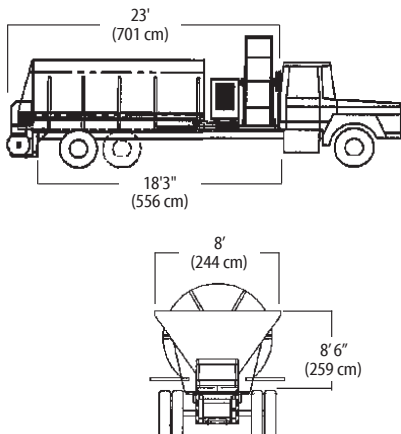
BB1208 BARK BLOWER



BB1216 BARK BLOWER



BB1222 BARK BLOWER



FINN MODEL BB1208 / BB1216 / BB1222 TECHNICAL SPECIFICATIONS

POWER	John Deere 4045D, Diesel, 115 hp (86 kw)	
ENGINE SAFETY SYSTEM	Low oil pressure, high water temperature shutoff	
CAPACITY	BB1208	8.2 cu. yd. (6.3m ³)
	BB1216	15.7 cu. yd. (12.0m ³)
	BB1222	21.8 cu. yd. (16.7m ³)
FUEL TANK CAPACITY	36 gallon (136 liter)	
BLOWER.....	1,200cfm @ 15 psi (34 cmm @103 kPa)	
EMPTY WEIGHT (W/REEL)	BB1208	10,640 lbs. (4,826 kg)
	BB1216	12,720 lbs. (5,770 kg)
	BB1222	13,700 lbs. (6,246 kg)
WORKING WEIGHT*	BB1208	16,640 lbs. (7,548 kg)
	BB1216	24,495 lbs. (11,111 kg)
	BB1222	30,000 lbs. (13,608 kg)
TRUCK REQUIREMENT MINIMUM	BB1208	25,900 lbs. (11,750 kg) GVW
	BB1216	34,000 lbs. (15,442 kg) GVW
	BB1222	42,000 lbs. (19,051 kg) GVW

*Working weights are approximate and do not include options or stored materials.

FINN Corporation has a policy of continuous product improvement, and reserves the right to change design and specifications without notice.