

BB1216 Bark Blower

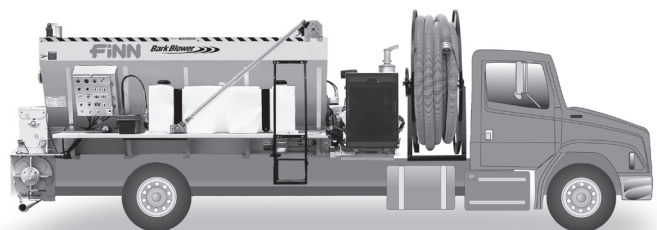
FINN Bark Blowers apply landscape mulch and other bulk materials with unprecedented efficiency, and eliminate the need for labor-intensive hand application. The BB1208, with 8.2 cubic yard capacity, the BB1216, with 15.7 cubic yard capacity and the BB1222, with 21.8 cubic yard capacity, provide high efficiency mulch application capabilities for landscape maintenance companies and mulch suppliers.

Versatile Applications. The BB1208, BB1216 and BB1222 are perfect for large mulching projects including commercial and residential mulch beds, slopes, public gardens, playgrounds, amusement parks, rooftops, mall interiorscapes, and other applications that require precise placement of bulk materials. Apply standard bark mulch, wood chips, compost, soil amendments, and other similar bulk materials. Mulch can be applied on virtually any terrain, even in wet conditions. Bark mulch with high moisture content is handled with ease.

High Production. Great Value. The BB1208, BB1216 and BB1222 Bark Blowers significantly reduce worker fatigue. Two operators can easily apply up to 22 cubic yards of bark mulch per hour, compared to approximately 2 cubic yards per hour via hand methods. The BB1208, BB1216 and BB1222 help reduce material cost from 20% to 40% by breaking up material clumps and by producing an even mulch spreading pattern, with fine particles on top.

Power & Control. The BB1208, BB1216 and BB1222 Bark Blowers propel bark mulch utilizing a specially engineered air lock system through various lengths of durable 4" flexible hose – for application up to 300' away. Remote controls allow the operator to control power and material flow from any operating distance. Units are equipped with 200' of hose, with additional lengths available in 50' sections. A convenient hose reel is included with each unit, allowing operators to efficiently start and complete each application.

As the world leader for over 70 years in the design and manufacture of innovative, quality equipment for the erosion control industry, FINN Corporation is committed to your complete satisfaction.

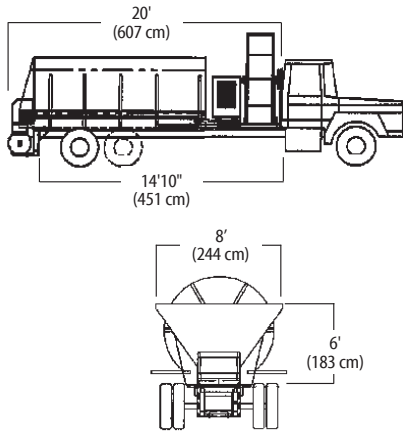


BB1208 Bark Blower Truck Mounted

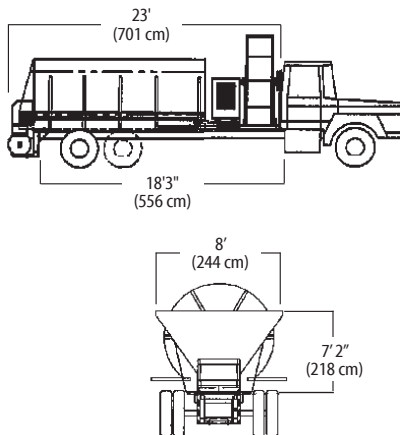
SMARTER WAYS TO WORK

9281 LeSaint Drive • Fairfield, OH 45014-5457 • Phone (513) 874-2818 • Fax (513) 874-2914
Toll Free (800) 543-7166 • Parts (800) 229-8707 • E-mail: sales@finncorp.com
Customer Service/Warranty (888) 382-1966

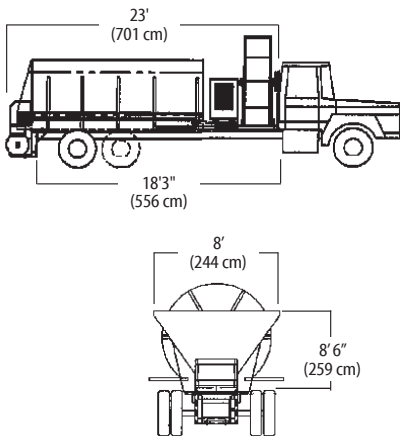
BB1208 BARK BLOWER



BB1216 BARK BLOWER



BB1222 BARK BLOWER



FINN MODEL BB1208 / BB1216 / BB1222 TECHNICAL SPECIFICATIONS

POWER	John Deere 4045D, Diesel, 115 hp (86 kw)
ENGINE SAFETY SYSTEM	Low oil pressure, high water temperature shutoff
CAPACITY	BB1208 8.2 cu. yd. (6.3m ³)
	BB1216 15.7 cu. yd. (12.0m ³)
	BB1222 21.8 cu. yd. (16.7m ³)
FUEL TANK CAPACITY	36 gallon (136 liter)
BLOWER.....	1,200cfm @ 15 psi (34 cmm @103 kPa)
EMPTY WEIGHT (W/REEL)	BB1208 10,640 lbs. (4,826 kg)
	BB1216 12,720 lbs. (5,770 kg)
	BB1222 13,700 lbs. (6,246 kg)
WORKING WEIGHT*	BB1208 16,640 lbs. (7,548 kg)
	BB1216 24,495 lbs. (11,111 kg)
	BB1222 30,000 lbs. (13,608 kg)
TRUCK REQUIREMENT MINIMUM	BB1208 25,900 lbs. (11,750 kg) GVW
	BB1216 34,000 lbs. (15,442 kg) GVW
	BB1222 42,000 lbs. (19,051 kg) GVW

*Working weights are approximate and do not include options or stored materials.

FINN Corporation has a policy of continuous product improvement, and reserves the right to change design and specifications without notice.